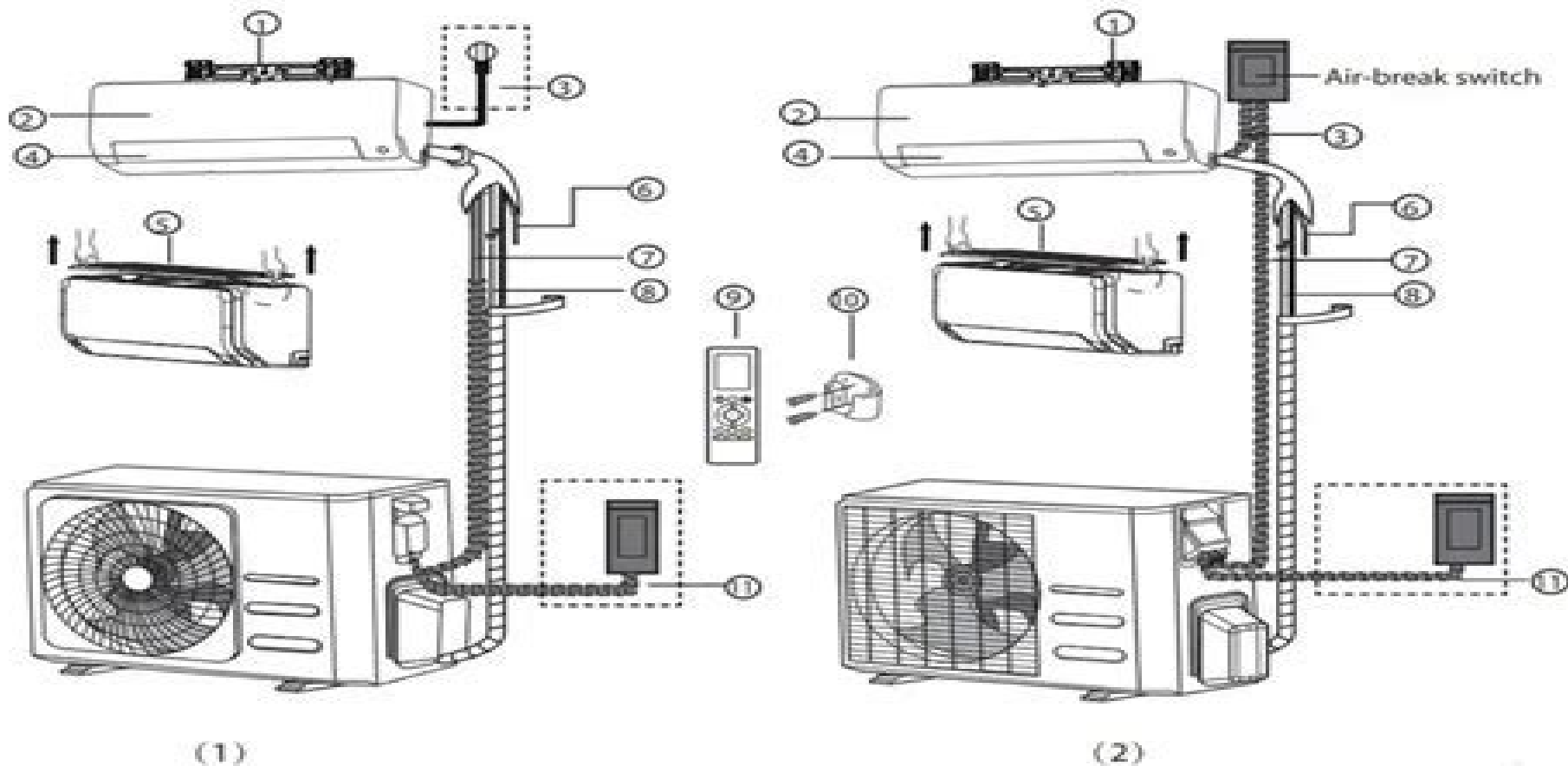


# Unit Parts

NOTE: The installation must be performed in accordance with the requirement of local and national standards. The installation may be slightly different in different areas.



- ① Wall Mounting Plate
- ② Front Panel
- ③ Power Cable (Some Units)
- ④ Louver

- ⑤ Air filter(pull it out)
- ⑥ Drainage Pipe
- ⑦ Signal Cable
- ⑧ Refrigerant Piping

- ⑨ Remote Controller
- ⑩ Remote Controller Holder (Some Units)
- ⑪ Outdoor Unit Power Cable (Some Units)

# Dismantle Air Con Split Unit Service Manual

**Chilton Book Company**



## **Dismantle Air Con Split Unit Service Manual:**

Service Manual for ,1944 *Chilton's Automobile Repair Manual* ,1967 **Service Manual for Radio Set SCR-682-A** ,1944 Operator's, Organizational, Direct Support, and General Support Maintenance Manual for Communications Technical Control Center AN/TSQ-84 (NSN 5895-01-007-4788) ,1984 Chilton's Auto Repair Manual 1981-1988 Chilton Automotive Books,1988 The auto repair manual that do it yourselfers have relied on to save money now covers 1981 88 domestic cars This updated edition covers Detroit s newest models including the new Chrysler TC Chevrolet Corsica and Pontiac LeMans The most asked for book of its kind More than 3 000 illustrations Chilton's Auto Repair Manual 1986 Chilton Book Company,1985 **Chilton's Auto Repair Manual, 1983** Chilton Automotive Books,1982 Guide to maintenance and repair of every mass produced American car made between 1976 and 1983 **Chilton's Auto Repair Manual, 1988-1992** Jeff S. Chilton,Chilton Book Company,1991 Information on repair replacement and adjustment for major components of American cars mass produced between 1988 and 1992 **Small AC Generator Service Manual** ,1986 **Chilton's Motor/age Automotive Service Manual** ,1974 **Chilton's Auto Repair Manual, 1974** Chilton Book Company,1974 , **Motor's Truck & Tractor Repair Manual** ,1956 *Chilton's Auto Repair Manual 1982* Alan F. Turner,1981 **Chilton's Truck and Van Repair Manual** ,1986 **Intermediate (field) (direct and General Support) and Depot Level Maintenance Manual** ,1992 Tradevman 1 & C. United States. Bureau of Naval Personnel,1964 **Chilton's Auto Repair Manual** ,1993 Each edition includes information for that year and several previous years **Manuals Combined: 150+ U.S. Army Navy Air Force Marine Corps Generator Engine MEP APU Operator, Repair And Parts Manuals** , Over 36 000 total pages Just a SAMPLE of the CONTENTS by File Number and TM Number 013511 TM 5 6115 323 24P 4 GENERATOR SET GASOLINE ENGINE DRIVEN SKID MOUNTED TUBULAR FRAME 1 5 K SINGLE PHASE AC 120 240 V 28 VDC LESS ENGINE DOD MODELS MEP 015A 60 HZ NSN 6115 00 889 1446 AND DOD MODEL MEP 025A 28 VDC 6115 00 017 8236 TO 35C2 3 385 4 SL 4 07609A 07610A 013519 TM 5 6115 329 25P 1 GENERATOR SET GASOLINE ENGINE DR LESS ENGINE 0 5 KW AC 120 240 V 60 HZ 1 PHASE DOD MODEL FSN 6115 923 4469 400 HZ MODEL MEP 019A 6115 940 7862 AN DC MODEL MEP 024A 6115 940 7867 TO 35C2 3 440 14 013537 TM 5 6115 457 12 7 GENERATOR SET ENGINE DRIVEN TACTICAL SKID MTD 100 KW 3 PHASE 4 WIRE 120 240 416 V DOD MODELS MEP 007A UTILITY CLASS 50 60 HZ NSN 6115 00 133 9101 MODEL MEP 106A PRECISE CLASS 50 60 H 6115 00 133 9102 MODEL MEP 116A PRECISE CLASS 400 KW 6115 00 133 9103 INCLUDING OPTIONAL KITS MODEL MEP 007 AWF WINTERIZATION KIT FUEL BURNING 6115 00 463 9082 MEP 007AWE WINTERIZATION KIT ELECTRIC 6115 00 463 9084 MODEL MEP 007A DUMMY LOAD KIT 6115 00 463 9086 AND MODEL MEP 007AWM WHEEL 013538 TM 5 6115 457 34 12 GENERATOR SET DIESEL ENGINE DRIVEN TACTICAL SKID 100 KW 3 PHASE 4 WIRE 120 208 AND 240 416 V DOD MODELS MEPO UTILITY CLASS 50 60 HZ NSN 6115 00 133 9101 MODEL MEP106A CLASS 50 60 HZ 6115 00 133 9102

AND MODEL MEP116A PRECISE 400 HZ 6115 00 133 9103 INCLUDING OPTIONAL KITS DOD MODELS MEP007AWF WINTERIZATION KIT FUEL BURNING 6115 00 463 9082 MEP007AWE WINTERIZATION KIT ELECTRIC 6115 00 463 9084 MOD MEP007ALM DUMMY LOAD KIT 6115 00 463 9086 AND MODEL MEP007A MOUNTING KIT 6 013540 TM 5 6115 458 24P 9 GENERATOR SET DIESEL ENGINE DRIVEN TACTICAL SKID MTD 2 KW 3 PHASE 4 WIRE 120 208 AND 240 416 VOLTS DOD MODELS MEP009A UTILITY CLASS 50 60 HZ NSN 6115 00 133 9104 AND MODEL MEP108A PRECISE CLASS 50 60 HZ 6115 00 935 8729 INCLUDING OPTIONAL K DOD MODELS MEP009AWF WINTERIZATION KIT FUEL BURNING 6115 00 403 3761 MODEL MEP009AWE WINTERIZATION KIT ELECTRIC 6115 00 489 7285 013545 TM 5 6115 465 12 19 GENERATOR DIESEL ENGINE DRIVEN TACTICAL SKID MTD 30 KW 3 PHASE 4 WIRE 120 208 AND 240 416 V DOD MODEL MEP 005A UTILITY CLASS 50 6 NSN 6115 00 118 1240 MODEL MEP 104A PRECISE CLASS 50 60 6115 00 118 1247 MODEL MEP 114A PRECISE CLASS 400 HZ 6115 00 118 1248 INCLUDING AUXILIARY EQUIPMENT DOD MODEL MEP WINTERIZATION KIT FUEL BURNING 6115 00 463 9083 MODEL MEP WINTERIZATION KIT ELECTRIC 6115 00 463 9085 MODEL MEP 005A LOAD BANK KIT 6115 00 463 9088 AND MODEL MEP 005AWM WH 013547 TM 5 6115 465 34 12 GENERATOR SET DIESEL ENGINE DRIVEN TACTIC SKID MTD 30 KW 3 PHASE 4 WIRE 120 208 AND 240 416 V DOD MO MEP 005A UTILITY 50 60 HZ NSN 6115 00 118 1240 MODEL MEP 104A PRECISE 50 60 HZ 6115 00 118 1247 MODEL MEP 114 PRECISE 50 60 HZ 6115 00 118 1248 INCLUDING OPTIONAL KITS MODEL MEP 005AWF WINTERIZATION KIT FUEL BURNING 6115 00 463 MODEL MEP 005AWE WINTERIZATION KIT ELECTRIC 6115 00 463 908 MODEL MEP 005ALM LOAD BANK KIT 6115 00 463 9088 MODEL MEP WHEEL MOUNTING KIT 6115 00 013548 TM 5 6115 545 12 18 GENERATOR DIESEL ENGINE DRIVEN TACTICAL SKID MTD 60 KW 3 PHASE 4 WIR 120 208 AND 240 416 VOLTS DOD MODEL MEP 006A UTILITY CLASS 5 NSN 6115 00 118 1243 DOD MODEL MEP 105A PRECISE CLASS 50 60 6115 00 118 1252 DOD MODEL MEP 115A PRECISE CLASS 400 HZ 6115 00 118 1253 INCLUDING OPTIONAL KITS DOD MODEL MEP006AWF WINTERIZATION KIT FUEL BURNING 6115 00 407 8314 DOD MODEL MEP006AWE WINTERIZATION KIT ELECTRIC 6115 00 455 7693 DOD M MEP006ALM LOAD BANK KIT 6115 00 407 8322 DOD MODEL MEP006 013550 TM 5 6115 545 34 12 INTERMEDIATE FIELD DIRECT AND GENERAL SUPPORT AND DEPOT MAINTENANCE MANUAL FOR GENERATOR SET DIESEL ENGINE DRIVEN TAC SKID MTD 60 KW 3 PHASE 4 WIRE 120 208 AND 240 416 VOLTS DOD MODELS MEP 006A UTILITY CLASS 50 60 HZ FSN 6115 118 1243 MEP 105A PRECISE CLASS 50 60 HZ 6115 118 1252 AND MEP 115A PRECISE CLASS 400 HZ 6115 118 1253 TO 35C2 3 444 2 NAVFAC P 8 626 34 TM 00038G 35 015378 TM 5 6115 323 14 10 GENERATOR GASOLINE ENGINE DRIVEN SKID MOUNTED TUBULAR FRAME 1 5 KW SI PHASE AC 120 240 V 28 V DC LESS ENGINE DOD MODELS MEP 01 60 HZ NSN 6115 00 889 1446 AND MODEL MEP 025A 28 V DC 6115 00 017 8236 TO 35C2 3 385 1 015380 TM 5 6115 332 24P 3 GENERATOR GASOLINE ENGINE AIR COOLED 5 KW AC 120 240 V SINGLE PHASE 120 208 V 3 PHASE SKID MOUNTED TUBULAR FRAME LESS ENGINE M DESIGN 60 HZ DOD

MODEL MEP 017A NSN 6115 00 017 8240 400 DOD MODEL MEP 022A 6115 00 017 8241 TO 35C2 3 424 24 020611 LO 5 6115 457 12 GENERATOR SET DIESEL ENGINE DRIVEN SKID MTD 100 KW 3 PHASE 120 208 AND 240 416 V DOD MODELS MEP 007A UTILITY CLASS 50 NSN 6115 00 133 9101 MODEL MEP 106A PRECISE CLASS 50 60 H 6115 00 133 9102 AND MODEL MEP 116A PRECISE CLASS 400 HZ 6115 00 133 9103 020612 LO 5 6115 458 12 GENERATOR SET DIESEL ENGINE DRIVEN SKID MTD 200 KW 3 PHASE 4 WIRE 120 208 416 VOLTS DOD MODELS MEP 009A UTILITY CLASS 50 60 HERTZ NSN 6115 00 133 9104 MEP 108A PRECISE CLASS 50 HERTZ 6115 00 935 8729 LO 07536A 12 020614 LO 5 6115 465 12 GENERATOR SET DIESEL ENGINE DRIVEN TACTICAL SKID MOUNTED 30 3 PHASE 4 WIRE 120 206 AND 240 416 V DOD MODEL MEP 055A UT CLASS 50 60 HZ NSN 6115 00 118 1240 MODEL MEP 104A PRECI CLASS 50 60 HZ 6115 00 118 1247 AND MODEL 114A PRECISE CLA 400 HZ 6115 00 118 1248 025150 TM 5 6115 271 14 12 GENERATOR SET GASOLINE ENGINE DRIVEN S MTD TUBULAR FRAME 3 KW 3 PHASE AC 120 208 AND 120 240 V 2 DC LESS ENGINE DOD MODEL MEP 016A 60 HZ NSN 6115 00 017 823 MODEL MEP 016C 60 HZ 6115 00 143 3311 MODEL MEP 021A 400 HZ 6115 00 017 8238 MODEL MEP 021C 400 HZ 6115 01 175 7321 MODEL MEP 026A DC HZ 6115 00 017 8239 MODEL MEP 026C 28 V DC 6115 01 175 7320 TO 35C2 3 386 1 TM 05926A 14 NAVFAC P 8 6 025151 TM 5 6115 271 24P 3 GENERATOR SET GASOLINE ENGINE DRIVEN SKID MOUNTED TUBULA FRAME 3 KW 3 PHASE AC 120 208 AND 120 240 VOLTS 28 VDC LE ENGINE DOD MODEL MEP 016A 60 HERTZ NSN 6115 00 017 8237 MEP 021A 400 HERTZ 6115 00 017 8238 MEP 026A 28 VDC HERTZ 6115 00 017 8239 MEP 016C 60 HERTZ 6115 01 143 3311 MEP 400 HERTZ 6115 01 175 7321 MEP 026C 28 VDC HERTZ 6115 01 175 7320 TO 35C2 3 386 4 SL 4 05926A 032507 TM 5 6115 275 14 10 GENERATOR SET GASOLINE ENGINE DRIVEN SKID MOUNTED TUBULAR FRAME 10 KW AC 120 208V PHASE AND 120 240V SINGLE PHASE LESS ENGINE DOD MODELS MEP HZ NSN 6115 00 889 1447 AND MEP 023A 400 HZ 6115 00 926 08 NAVFAC P 8 615 14 TO 35C2 3 452 1 THIS ITEM IS INCLUDED ON EM 0086 EM 0088 D MEP 018A UTILITY CLASS 60 HZ NSN 6115 00 889 1447 AND MEP 0 PRECISE CLASS 400 HZ 6115 00 926 0843 NAVFAC P8 615 24P TO 35C2 3 452 4 THIS ITEM IS INCLUDED ON EM 0086 EM 0088 1 PHASE 3 WIRE 3 PHASE 4 WIRE 120 120 240 AND 120 208 V DOD MODEL MEP 002A UTILITY CLASS 60 HZ NSN 6115 00 465 1044 NAVFAC P 8 622 12 TO 35C2 3 456 1 TM 05682C 12 032640 TM 5 6115 585 12 12 GENERATOR SET DIESEL ENGINE DRIVEN TACTICAL SKID MTD 10 KW 1 PHASE 2 WIRE 1 PHASE 3 WIRE AND 3 PHASE 4 WIRE 120 120 240 AND 120 208 V DOD MODEL MEP 003A UTILITY CLASS 60 HZ NSN 6115 00 465 1030 AND MODEL MEP 112A UTILITY CLASS 400 HZ 6115 00 465 1027 NAVFAC P 8 623 12 TO 35C2 3 455 1 TM 05684C 05685B 12 032781 TM 5 6115 584 34 8 GENERATOR SET DIESEL ENGINE DRIVEN TAC SKID MOUNTED 5 KW 1 PHASE 2 WIRE 1 PHASE 3 WIRE 3 PHASE 120 120 240 AND 120 208 V DOD MODEL MEP 002A UTILITY CLASS NSN 6115 00 465 1044 NAVFAC P 8 622 34 TO 35C2 3 456 2 TM 0568C 34 032936 TM 5 6115 329 14 4 GENERATOR SET GASOLINE ENGINE DRIVEN 0 5 KW LESS ENGINE DOD MODEL MEP 014 UTILITY CLASS 60 HZ NSN 6115 00 923 4469

DOD MODEL MEP 01 UTILITY CLASS 400 HZ 6115 00 940 7862 AND DOD MODEL MEP 024 UTILITY CLASS 28 VDC 6115 00 940 7867 TO 35C2 3 440 1 033374 TM 5 6115 332 14 10 GENERATOR SET TAC GASOLINE ENGINE AIR COOLED 5 KW AC 120 240 V SINGLE PHASE V 3 PHASE SKID MOUNTED TUBULAR FRAME LESS ENGINE MILITARY DOD MODEL MEP 017A UTILITY 60 HZ NSN 6115 00 017 8240 AND MODEL MEP 022A UTILITY 400 HZ 6115 00 017 8241 NAVFAC P 8 614 14 TO 35C2 3 424 1 033750 TM 5 6115 585 34 9 GENERATOR SET DIESEL ENGINE DRIVEN TAC SKID MOUNTED 10 KW 1 PHASE 2 WIRE 1 PHASE 3 WIRE 3 PHASE 4 WIRE 120 120 240 AND 120 208 VOLTS DOD MODEL MEP 003A UT CLASS 60 HZ NSN 6115 00 465 1030 NAVFAC P 8 623 12 TO 35C2 3 455 2 TM 05684C 05685B 34 034072 TM 5 6115 585 24P 5 GENERATOR SET DIESEL ENGINE DRIVEN TA SKID MTD 10 KW 1 PHASE 2 WIRE 1 PHASE 3 WIRE 3 PHASE 4 W 120 120 240 AND 120 208 V DOD MODELS 003A UTILITY CLASS 60 NSN 6115 00 465 1030 AND MODEL MEP 112A UTILITY CLASS 400 6115 00 465 1027 NAVFAC P 8 623 24P TO 35C2 3 455 4 SL 4 05684C 06585B 040180 TM 5 6115 584 12 HR HAND RECEIPT MANUAL COVERING END ITEM COMPONENTS OF END ITEM C BASIC ISSUE ITEMS BII AND ADDITIONAL AUTHORIZATION LIST AAL GENERATOR SET DIESEL ENGINE DRIVEN TACTICAL SKID MTD 5 KW 1 WIRE 1 PH 3 WIRE 3 PH 4 WIRE 120 120 240 AND 120 208 V D MEP 002A UTILITY CLASS 60 HZ NSN 6115 00 465 1044 040833 TM 5 6115 458 12 HR HAND RECEIPT MANUAL COVERING THE END ITEM COMPONENTS OF END ITE BASIC ISSUE ITEMS BII AND ADDITIONAL AUTHORIZATION LIST AA GENERATOR SET DIESEL ENGINE DRIVEN TACTICAL SKID MOUNTED 20 3 PHASE 4 WIRE 120 208 AND 240 416 V DOD MODEL MEP 009A UT CLASS 50 60 HZ NSN 6115 00 133 9104 AND DOD MODEL MEP 108A PRECISE CLASS 50 60 HZ 6115 00 935 8729 040843 TM 5 6115 593 34 GENERATOR SET DIESEL ENGINE DRIVEN TAC SKID MTD 500 KW 3 PHASE 4 WIRE 120 208 AND 240 416 VOLTS DOD MODEL MEP 029A CLASS UTILITY 50 60 HZ NSN 6115 01 030 DOD MODEL MEP 029B CLASS UTILITY 50 60 HZ 6115 01 318 6302 INCLUDING OPTIONAL KITS DOD MODEL MEP 029AHK HOUSING KIT 6115 01 070 7550 DOD MODEL MEP 029ACM AUTOMATIC CONTROL MO 6115 01 275 7912 DOD MODEL MEP 029ARC REMOTE CONTROL MODULE 6110 01 070 7553 DOD MODEL MEP 029ACC REMOTE CONTROL CABLE 6110 01 087 4127 NAVFAC P 8 041070 TM 5 6115 593 12 GENERATOR SET ENGINE DRIVEN TACTICAL SKID MTD 500 KW 3 PHASE 4 WIRE 120 240 416 VOLTS DOD MODEL MEP 029A CLASS UTILITY HERTZ 50 60 NSN 6115 01 030 6085 MEP 029B UTILITY 50 60 6115 01 318 INCLUDING OPTIONAL KTS DOD MODELS MEP 029AHK NOMENCLATURE HOUS 6115 01 070 7550 MEP 029ACM AUTOMATIC CONTROL MODULE 6115 01 275 7912 MEP 029ARC REMOTE CONTROL MODULE 6110 01 070 7553 MEP 029ACC REMOTE CONTROL CABLE 6110 01 087 4127 TO 35C2 3 463 1 041338 LO 55 1730 229 12 POWER UNIT AVIATION MULTI OUTPUT GTED ELECTRICAL HYDRAULIC PNEUMATIC AGPU WHEEL MOUNTED SELF PROPELLED TOWABLE DOD MODEL MEP 360A CLASS PRECISE HERTZ 400 NSN 1730 01 144 1897 042791 TM 5 6115 457 12 HR HAND RECEIPT MANUAL COVERING THE BASIC ISSUE ITEMS BII FOR GE SET DIESEL ENGINE DRIVEN TACTICAL SKID MTD 100 KW 3 PHASE

120 208 AND 240 416 V DOD MODELS MEP007A UTILITY CLASS 50 6 NSN 6115 00 133 9101 MODEL MEP 106A PRECISE CLASS 50 60 6115 00 133 9102 AND MODEL MEP116A PRECISE CLASS 400 HZ 6115 00 133 9103 043437 TM 5 6115 593 24P 1 GENERATOR SET DIESEL ENGINE DRIVEN TACTICAL SKID MOUNTED 500 KW 3 PHA 4 WIRE 120 208 AND 240 416 VOLTS DOD MODEL MEP 029A UTILITY CL 50 60 HZ NSN 6115 01 030 6085 MEP 029B UTILITY CLASS 50 60 6115 01 318 6302 INCLUDING OPTIONAL KITS DOD MODEL MEP 029AHK HOUSING KIT 6115 01 070 7550 MEP 029ACM AUTOMATIC CONTROL MOD 6115 01 275 7912 MEP 029ARC REMOTE CONTROL MODULE 6110 01 070 7553 MEP 029ACC REMOTE CONTROL CABLE 6110 01 087 NAVFAC P 8 631 24P TO 35C2 3 463 4 044703 TM 5 6115 545 12 HR HAND RECEIPT MANUAL COVERING COMPONENTS OF END ITEM COEI BAS ITEMS BII AND ADDITIONAL AUTHORIZATION LIST AAL FOR GENERA DIESEL ENGINE DRIVEN TACTICAL SKID MTD 60 KW 3 PHASE 4 WIRE 120 208 AND 240 416 V DOD MODELS MEP 006A UTILITY CLASS 50 6 NSN 6115 00 118 1243 MODEL MEP 105A PRECISE CLASS 50 60 H 6115 00 118 1252 AND MODEL MEP 115A PRECISE CLASS 400 HZ 6115 00 118 1253 050998 TM 5 6115 600 12 8 GENERATOR DIESEL ENGINE DRIVEN TACTICAL SKID MTD 100 KW 3 PHASE 4 WIR 120 208 AND 240 416 V DOD MODEL MEP 007B CLASS UTILITY 50 60 NSN 6115 01 036 6374 INCLUDING OPTIONAL KITS DOD MODEL MEP00 WINTERIZATION KIT FUEL BURNING AND MEP007BWE WINTERIZATION KIT ELECTRIC 051007 TM 5 6115 600 24P 4 GENERATOR SET DIESEL ENGINE DRIVEN 100 KW 3 PHASE 4 WIRE 120 208 AND VOLTS DOD MODEL MEP 007B UTILITY CLASS 50 60 HZ NSN 6115 01 036 6374 INCLUDING OPTIONAL KITS DOD MODEL MEP007BWF WINTERIZATION KIT FUEL BURNING AND MEP007BWE WINTERIZATION KIT ELECTRIC TO 35C2 3 442 14 NAVFAC P 8 628 24P SL 4 07464B 057268 LO 5 6115 600 12 GENERATOR SET DIESEL ENGINE DRIVEN TACTICAL SKID MTD 100 KW PHASE 4 WIRE 120 208 AND 240 416 V DOD MODEL MEP007B CLASS UTILITY 50 60 HZ NSN 6115 01 036 6374 057513 LO 5 6115 604 12 GENERATOR SET DIESEL ENGINE DRIVEN AIR TRANSPORTABLE SKID MT 750 KW 3 PHASE 4 WIRE 2400 4160 AND 2200 3800 VOLTS DOD MOD MEP208A CLASS PRIME UTILITY HZ 50 60 NSN 6115 00 450 5881 LI 6115 12 9 060183 TM 5 6115 612 24P 6 GENERATOR SET AVIATION GAS TURBINE ENGINE DRIVEN INTEGRA TRAILER MOUNTED 10KW 28 VOLTS MODEL MEP 362A PRECISE DC NSN 6115 01 161 3992 TM 6115 24P 1 AG 320B0 IPE 000 TO 35C2 3 471 4 060188 TM 5 6115 612 34 4 GENERATOR SET AVIATION GAS TURBINE ENG DRIVEN INTEGRAL TRAILER MOUNTED 10KW 28 VOLTS DOD MODEL MEP 36 PRECISE DC NSN 6115 01 161 3992 AG 320BO MME 000 TM 6115 TO 35C2 3 471 2 060645 LO 5 6115 612 12 AVIATION GENERATOR SET GAS TURBINE ENGINE DRIVEN INTEGRAL TR MOUNTED 10KW 28 VOLTS DC DOD MODEL MEP 362A CLASS PRECISE NSN 6115 01 161 3992 060921 TM 55 1730 229 34 5 POWER UNIT AVIATION MULTI OUTPUT GTED ELECTRICAL HYDRAULIC PNEUMATIC AGPU WHEEL MOUNTED SELF PROPELLED TOWA AC 400HZ 3PH 0 8 PF 115 200V 30 KW DC 28VDC 700 AMPS PNEUMATIC 60 LBS MIN AT 40 PSIG HYDRAULIC 15 GPM AT 3300 PS DOD MODEL MEP 360A CLASS PRECISE 400 HERTZ NSN 1730 01 144 AG 320A0

MME 000 TO 35C2 3 473 2 TM 1730 34 1 060922 TM 55 1730 229 12 8 POWER UNIT AVIATION MULTI OUTPUT GTED ELECTRICAL HYDRAULIC PNEUMATIC AGPU WHEEL MOUNTED SELF PROPELLED TOWABLE AC 400HZ 3PH 0 8 PF 115 200V 30 KW DC 28 VDC 700 AMPS PNEUMATIC 60 LBS M AT 40 PSIG HYDRAULIC 15 GPM AT 3300 PSIG DOD MODEL MEP 360A CLASS PRECISE HERTZ 400 NSN 1730 01 144 1897 AG 320A0 OMM OOO TO 35C2 3 473 1 TM 1730 12 1 061758 LO 5 6115 614 12 GENERATOR SET DIESEL ENGINE DRIVEN TACTICAL SKID MTD 200 KW 3 PHASE 4 WIRE 120 208 AND 240 416 VOLTS MODEL MEP009B UTILI 50 60 HERTZ NSN 6115 01 021 4096 061772 LO 5 6115 622 12 GENERATOR SET DIESEL ENGINE DRIVEN WHEEL MOUNTED 750 KW 3 PH 4 WIRE 2200 3800 AND 2400 4160 VOLTS CUMMINS ENGINE COMPANY IN MODEL KTA 2300G 2 DOD MODEL MEP 012A CLASS UTILITY HERTZ 062762 LO 5 6115 615 12 GENERATOR SET DIESEL ENGINE DRIVEN TACTICAL SKID MOUNTED 3 K MODEL 016B CLASS UTILITY MODE 50 60 HZ NSN 6115 01 150 4140 DOD MODEL MEP 021B CLASS UTILITY MODE 400 HZ 6115 01 151 812 DOD MODEL MEP 026B CLASS UTILITY MODE 28 VDC 6115 01 150 036 LI 05926B 06509B 12 5 P 8 646 LO 064310 TM 5 6115 626 14 TM 1730 24P AG 320A0 IPB 000 065603 TB 5 6115 593 24 WARRANTY PROGRAM FOR GENERATOR SET DOD MODEL MEP 029A HOUSING K DOD MODEL MEP 029AHK 066727 TM 5 6115 640 14 2 MEP 005A 30 KW 60 HZ GEN SETS 2 M200A1 2 WHEEL 4 TIRE MODIFIED TRAILERS 066809 TM 5 6115 630 14 MEP 104A PRECISE 50 60 HERTZ 6115 00 118 1247 MEP 114A PRECISE 400 HERTZ 6115 00 118 INCLUDING AUXILIARY EQUIPMENT MEP 005AWF WINTERIZATION KIT FUE BURNING 6115 00 463 9083 MEP 005AWE WINTERIZATION KIT ELEC 6115 00 067310 TM 9 6115 650 14 DOD MODEL MEP 104A 6115 00 118 1245 DOD MODEL MEP 113A 6115 00 118 1244 069954 TM 9 6115 465 24P 2 GENERATOR SET DIESEL ENGINE DRIVE TACTICAL SKID MTD 30KW 3 PHASE 4 WIRE 120 208 AND 240 416 V MODELS MEP 005A UTILITY 50 60 HZ NSN 6115 00 118 1240 MEP 104A PRECISE 50 60 HZ 6115 00 118 1247 MEP 114A PRECISE 400 H 6115 00 118 1248 INCLUDING OPTIONAL KITS DOD MODELS MEP 00 WINTERIZATION KIT FUEL BURNING 6115 00 463 9083 MEP 005 AW WINTERIZATION KIT ELECTRIC 6115 00 463 9085 MEP 002 ALM L BANK KIT 6115 00 463 9088 MEP 005 AWM WHEEL MOUNTING KIT 6115 00 463 9094 TO 35C2 3 070096 TM 9 6115 464 24P 1 GENERATOR S DIESEL ENGINE DRIVEN TACTICAL SKID MTD 15KW 3 PHASE 4 WIRE 120 208 AND 240 416 VOLTS DOD MODEL MEP 004A UTILITY CLASS 50 60 HERTZ NSN 6115 00 118 1241 DOD MODEL MEP 103A PRECISE CLASS 50 60 HERTZ 6115 00 118 1245 DOD MODEL MEP 113A PRECI CLASS 400 HERTZ 6115 00 118 1244 INCLUDING OPTIONAL KITS DOD MODEL MEP 005 AWF WINTERIZATION KIT FUEL BURNING 6115 00 463 DOD MODEL MEP 005 AWE WINTERIZATION KIT ELECTRIC 6615 00 46 DOD MODEL MEP 004 ALM LOAD BANK KIT 6115 00 191 9201 071025 TM 9 6115 641 10 2 GENERATOR SET SKID MOUNTED TACTICAL QUIET 5 KW 60 AND 400 HZ MEP 802A 60 HZ NSN 6115 01 274 7387 MEP 812A 400 HZ 6115 01 274 7391 TO 35C2 3 456 11 071026 TM 9 6115 642 10 2 GENERATOR SET SKID MOUNTED TACTICAL QUIE 10 KW 60 AND 400 HZ MEP 803A 60 HZ NSN 6115 01 275 5061 MEP 813A 400 HZ 6115 01



274 7392 TO 35C2 3 455 11 TM 09247A 09248A 10 1 071028 TM 9 6115 643 10 3 GENERATOR SET SKID MOUNTED TACTICAL QUI 15 KW 50 60 AND 400 HZ MEP 804A 50 60 HZ NSN 6115 01 274 73 MEP 814A 400 HZ 6115 01 274 7393 TO 35C2 3 445 21 071029 TM 9 6115 644 10 2 GENERATOR SET SKID MOUNTED TACTICAL QUIET 30 KW 50 60 AND 400 HZ MEP 805A 50 60 HZ NSN 6115 01 274 7389 MEP 815A 400 HZ 6115 01 274 7394 TO 35C2 3 446 11 TM 09249A 09246A 10 1 071030 TM 9 6115 645 10 2 GENERATOR SET SKID MOUNTED TACTICAL QUIET 60 KW 50 60 AND 400 HZ MEP 806A 50 60 HZ NSN 6115 01 274 7390 MEP 816A 400 HZ 6115 01 274 7395 TO 35C2 3 444 11 TM 09244A 09245A 10 1 071031 LO 9 6115 641 12 GENERATOR SET SKID MOUNTED TACTICAL QUIET 5 KW 60 AND 400 HZ MEP 802A TACTICAL QUIET 60 HZ NSN 6115 01 274 7387 MEP 812A TACTICAL QUIET 400 HZ 6115 01 274 7391 071032 LO 9 6115 642 12 GENERATOR SET SKID MOUNTED TACTICAL QUIET 10 KW 60 AND 400 HZ MEP 803A TACTICAL QUIET 60 HZ NSN 6115 01 275 5061 MEP 813A TACTICAL QUIET 400 HZ 6115 01 274 7392 071033 LO 9 6115 643 12 GENERATOR SET SKID MOUNTED TACTICAL QUIET 15 KW 50 60 400 HZ MEP 804A TACTICAL QUIET 50 60 HZ NSN 6115 01 274 7388 MEP 814 TACTICAL QUIET 400 HZ 6115 01 274 7393 071034 LO 9 6115 644 12 GENERATOR SET SKID MOUNTED TACTICAL QUIET 30 KW 50 60 AND 40 MEP 805A TACTICAL QUIET 50 60 HZ NSN 6115 01 274 7389 MEP 815 TACTICAL QUIET 400 HZ 6115 01 274 7394 LI 09249A 09246A 12 071035 LO 9 6115 645 12 GENERATOR SET SKID MOUNTED TACTICAL QUIET 60 KW 50 60 AND 40 MEP 806A TACTICAL QUIET 50 60 HZ NSN 6115 01 274 7390 MEP 816 TACTICAL QUIET 400 HZ 6115 01 274 7395 LI 09244A 09245A 12 071036 TB 9 6115 641 24 WARRANTY PROGRAM FOR GENERATOR SET TACTICAL QUIET 5 KW 60 AND 400 HZ MEP 802A AND MEP 812A 071037 TB 9 6115 642 24 WARRANTY PROGRAM FOR GENERATOR SET TACTICAL QUIET 10 KW 60 AND 400 HZ MEP 803A AND MEP 813A SI 09247A 09248A 24 071038 TB 9 6115 643 24 WARRANTY PROGRAM FOR GENERATOR SET TACTICAL QUIET 15 KW 50 60 AND 400 HZ MEP 804A AND MEP 814A 071039 TB 9 6115 644 24 WARRANTY PROGRAM FOR GENERATOR SET TACTICAL QUIET 30 KW 50 60 AND 400 HZ MEP 805A AND MEP 815A SI 09249A 09246A 24 071040 TB 9 6115 645 24 WARRANTY PROGRAM FOR GENERATOR SET TACTICAL QUIET 60 KW 50 60 AND 400 HZ MEP 806A AND MEP 816A SI 09244A 09245A 24 071541 TM 9 6115 464 12 2 GENERATOR SET DIESEL ENGINE DRIVEN TACTICAL SKID MTD 15 KW 3 PHASE 4 WIRE 120 2 AND 240 416 VOLTS DOD MODEL MED 004A UTILITY CLASS 50 60 HERTZ NSN 6115 00 118 1241 DOD MODEL MEP 103A PRECISE CLASS 50 60 HERTZ 6115 00 118 1245 DOD MODEL MEP 113A PRECISE CLASS 400 HERTZ 6115 00 118 1244 INCLUDING OPTIONAL KITS DOD MODEL MEP 005 AWF WINTERIZATION KIT FUEL BURNING 6115 00 463 9083 DOD MODEL MEP 005 AWE WINTERIZATION KIT ELECTRIC 6115 00 463 9085 DOD MODEL MEP 004 ALM LOAD BANK KIT 6115 00 291 071604 TM 9 6115 645 24P GENERATOR SET TACTICAL QUIET 60KW 50 60 400 HZ NSN 6115 01 274 7390 MEP 806A 6115 01 274 7395 MEP 816A TO 35C2 3 444 14 TM 09244A 09245A 24P 3 071605 TM 9 6115 642 24P GENERATOR SET TACTICAL QUIET 10 KW 60 400 HZ NSN 6115 01 275 5061 MEP 803A 6115 01 274 7392 MEP 813A TO

35C2 3 455 14 TM 09247A 09248A 24P 3 071610 TM 9 6115 643 24P GENERATOR SET TACTICAL QUIET 15KW 50 60 400 HZ NSN 6115 01 274 7388 MEP 804A 6115 01 274 7393 MEP 814A TO 35C2 3 445 24 071611 TM 9 6115 644 24P GENERATOR SET TACTICAL QUIET 30KW 50 60 400 HZ NSN 6115 01 274 7389 MEP 805A 6115 01 274 7394 MEP 815A TO 35C2 3 446 14 TM 09249A 09246A 24P 3 071613 TM 9 6115 641 24P GENERATOR SET TACTICAL QUIET 5 KW 60 400 HZ NSN 6115 01 274 7387 MEP 802A 6115 01 274 7391 MEP 812A TO 35C2 3 456 14 071713 TM 9 6115 645 24 4 GENERATOR SET SKID MOUNTED TACTICAL QUIET 60KW 50 60 AND 400 HZ MEP 806A 50 60 HZ NSN 6115 01 274 7390 MEP 816A 400 HZ 6115 01 274 7395 TO 35C2 3 444 12 TM 09244A 09245A 24 2 071748 TM 9 6115 644 24 1 GENERATOR SET SKID MOUNTED TACTICAL QUIET 30 KW 50 60 AND 400 HZ MEP 805A 50 60 HZ NSN 6115 01 274 7389 MEP 815A 400 HZ 6115 01 274 7394 TO 35C2 3 446 12 TM 09249A 09246A 24 2 071749 TM 9 6115 643 24 4 GENERATOR SET SKID MOUNTED TACTICAL QUIET 15 KW 50 60 AND 400 HZ MEP 804A 50 60 HZ NSN 6115 01 274 7388 MEP 814A 400 HZ 6115 01 274 7393 TO 35C2 3 445 22 071750 TM 9 6115 642 24 4 GENERATOR SET SKID MOUNTED TACTICAL QUIET 10 KW 60 AND 400 HZ MEP 803A 60 HZ NSN 6115 01 275 5061 MEP 813A 400 HZ 6115 01 274 7392 TO 35C2 3 455 12 TM 09247A 09248A 24 2 071751 TM 9 6115 641 24 3 GENERATOR SET SKID MOUNTED TACTICAL QUIET 5 KW 60 AND 400 HZ MEP 802A 60 HZ NSN 6115 01 274 7387 MEP 812A 400 HZ 6115 01 274 7391 TO 35C2 3 456 12 072239 TM 9 6115 464 34 1 GENERATOR SET DIESEL ENGINE DRIVEN TACTICAL SKID MTD 15 KW 3 PHASE 4 WIRE 120 208 AND 240 416 VOLTS DOD MODEL MEP 004A UTILITY CLASS 50 60 HERTZ NSN 6115 00 118 1241 DOD MODEL MEP 103A PRECISE CLASS 50 60 HERTZ 6115 00 118 1245 DOD MODEL MEP 113A PRECISE CLASS 400 HERTZ 6115 00 118 1244 INCLUDING OPTIONAL KITS DOD MODEL MEP 005AWF WINTERIZATION KIT FUEL BURNING 6115 00 463 9083 DOD MODEL MEP 005AWE WINTERIZAT KIT ELECTRIC 6115 00 463 9085 DOD MODEL MEP 004ALM LOAD BANK KIT 6115 00 291 920 073744 TM 9 6115 604 24P 1 GENERATOR SET DIESEL ENGINE DRIVEN AIR TRANSPORTABLE SKID MOUNTED 750KW 3 PHASE 4 WIRE 2400 4160 AND 2200 3800 VOLTS DOD MODEL MEP208A PRIME UTILITY CLASS 50 60 HERTS NSN 6115 00 450 5881 DOD MODEL 80 1466 REMOTE CONTROL MODULE CLASS 6115 01 150 5284 DOD MODEL 80 7320 SITE REQUIREMENTS MODULE CLASS 6115 01 150 5 NAVFAC P 8 633 24P 074040 TM 9 6115 545 24P GENERATOR SET DIESEL ENGINE DRIVEN TAC SKID MTD 60 KW 3 PHASE 4 WIRE 120 208 AND 240 416 VOLTS D MODELS MEP 006A UTILITY CLASS 50 60 H Z NSN 6115 00 118 124 MEP 105A PRECISE CLASS 50 60 H Z 6115 00 118 1252 MEP 115 PRECISE CLASS 400 H Z 6115 00 118 1253 INCLUDING OPTIONAL K DOD MODELS MEP 006AWF WINTERIZATION FUEL BURNING 6115 00 407 MEP 006AWE WINTERIZATION KIT ELECTRIC 6115 00 455 7693 ME LOAD BANK KIT 6115 00 407 8322 AND MEP 006AWM WHEEL MOUNTI 6115 00 463 9092 TO 074212 TM 9 6115 604 12 GENERATOR SET DIESEL DRIVEN AIR TRANSPORTABLE SKID MTD 750 KW 3 PHASE 4 WIRE 24 AND 2200 3800 V DOD MODEL MEP 208A CLASS PRIME UTILITY HZ 50 NSN 6115 00 450 5881 NAVFAC P 8 633 12 074896 TM 9 6115 604 34

GENERATOR SET DIESEL ENGINE DRIVEN AIR TRANSPORTABLE SKID MTD 750 KW 3 PHASE 4 WIRE 2400 4160 AND 2200 3800 VOLTS DOD MODEL MEP 208A PRIME UTILITY CLASS 50 60 HERTZ NSN 6115 00 450 5881 NAVFAC P 8 633 34 075027 TM 9 6115 584 24P 1 GENERATOR SET DIESEL E DRIVEN TACTICAL SKID MTD 5 KW 1 PHASE 2 WIRE 1 PHASE 3 WIR 3 PHASE 4 WIRE 120 120 240 AND 120 208 VOLTS DOD MODEL MEP UTILITY CLASS 60 HZ NSN 6115 00 465 1044 NAVFAC P 8 622 24P TO 35C2 3 456 4 077581 TM 9 6115 673 13 P 2KW MILITARY TACTICAL GENERATOR SET 120 VAC 60 HZ NSN 6115 01 435 1565 MEP 531A EIC LKA NSN 6115 21 912 0393 MECHRON 28 VDC NSN 6115 01 435 1567 MEP 501A EIC LKD NSN 6115 21 912 0392 MECHRON 078167 TM 9 6115 672 14 GENERATOR SET SKID MOUNTED TACTICAL QUIET 60KW 50 60 AND 400 HZ MEP 806B 50 60 HZ NSN 6115 01 462 0291 EIC GGW MEP 816B 400 HZ NSN 6115 01 462 0292 EIC GGX 078443 TM 9 6115 639 13 1 3KW TACTICAL QUIET GENERATOR SET MEP 831A 60 HZ NSN 6115 01 285 3012 EIC VG6 MEP 832A 400 HZ NSN 6115 01 287 2431 EIC VN7 078490 TM 9 6115 671 14 OPERATOR UNIT GENERATOR SET SKID MOUNTED TACTICAL QUIET 30 KW 50 60 AND 400 HZ MEP 805B 50 60 HZ NSN 6115 01 461 9335 EIC GGU MEP 815B 400 HZ 6115 01 462 0290 EIC GGV 078503 TM 9 6115 671 24P GENERATOR SET SKID MOUNTED TACTICAL QUIET 30 KW 50 60 AND 400 HZ MEP 805B 50 60 HZ NSN 6115 01 461 9335 EIC GGU MEP 815B 400 HZ NSN 6115 01 462 0290 EIC GGV 078504 TM 9 6115 672 24P GENERATOR SET SKID MOUNTED TACTICAL QUIET 60 KW 50 60 AND 400 HZ MEP 806B 50 60 HZ NSN 6115 01 462 0291 EIC GGW MEP 816B 400 HZ NSN 6115 01 462 0292 EIC GGX 078505 TB 9 6115 671 24 WARRANTY PROGRAM FOR GENERATOR SET TACTICAL QUIET 30KW 50 60 AND 400 HZ MEP 805B AND MEP 815B PROCURED UNDER CONTRACT DAAK01 96 D 00620WITH MCII INC 078506 TB 9 6115 672 24 WARRANTY PROGRAM FOR GENERATOR SET TACTICAL QUIET 30KW 50 60 AND 400 HZ MEP 806B AND MEP 816B PROCURED UNDER CONTRACT DAAK01 96 D 00620WITH MCII INC 078523 TM 9 6115 664 13 P 5KW 28VDC AUXILIARY POWER UNIT APU MEP 952B NSN 6115 01 452 6513 EIC N A 078878 TM 9 6115 639 23P 3KW TACTICAL QUIET GENERATOR SET MEP 831A 60 HZ NSN 6115 01 285 3012 EIC VG6 MEP 832A 400 HZ NSN 6115 01 287 2431 EIC VN7 079379 TB 9 6115 641 13 WINTERIZATION KIT NSN 6115 01 476 8973 INSTALLED ON GENERATOR SET SKID MOUNTED TACTICAL QUIET 5KW 60 AND 400 HZ MEP 802A 600HZ 6115 01 274 7387 MEP 812A 400HZ 6115 01 274 7391 079460 TB 9 6115 642 13 WINTERIZATION KIT NSN 6115 01 477 0564 EIC N A INSTALLED ON GENERATOR KIT SKID MOUNTED TACTICAL QUIET 10KW 60 AND 400 HZ MEP 803A 60HZ 6115 01 275 0561 MEP 813A 400HZ 6115 01 274 7392 079461 TB 9 6115 643 13 WINTERIZATION KIT NSN 6115 477 0566 INSTALLED ON GENERATOR SET SKID MOUNTED TACTICAL QUIET 15KW 50 60 AND 400 HZ MEP 804A 50 60HZ 6115 01 274 7388 MEP 814A 400HZ 6115 01 274 7393 079462 TB 9 6115 644 13 WINTERIZATION KIT NSN 6115 01 474 8354 EIC N A INSTALLED ON GENERATOR SET SKID MOUNTED 30KW 50 60 AND 400 HZ MEP 805A 50 60HZ NSN 6115 01 274 7389 MEP 815A 400HZ NSN 611501 274 7394 079463 TB 9 6115 645 13 WINTERIZATION KIT NSN 6115 01 474 8344 EIC N A INSTALLED ON GENERATOR SET SKID MOUNTED

TACTICAL QUIET 60KW 50 60 AND 400 HZ MEP 806A 50 60HZ 6115 01 274 7390 MEP 816A 400HZ 6115 01 274 7395  
080214 TM 9 6115 670 14 P AUXILIARY POWER UNIT 20KW 120 240 VAC 60 HZ MODEL NO MEP 903A SICPS NSN 6115  
01 431 3062 MODEL NUMBER MEP 903B JTACS NSN 6115 01 431 3063 MODEL NO MEP 903C9WIN T NSN 6115 01 458  
5329 EIC N A Chilton's Auto Repair Manual, 1991 Chilton Book Company,1990

Immerse yourself in heartwarming tales of love and emotion with Crafted by is touching creation, **Dismantle Air Con Split Unit Service Manual** . This emotionally charged ebook, available for download in a PDF format ( PDF Size: \*), is a celebration of love in all its forms. Download now and let the warmth of these stories envelop your heart.

[https://www.fiservcoa-3731-cert.gulfbank.com/results/book-search/Documents/Een\\_Rus\\_In\\_De\\_Jordaan.pdf](https://www.fiservcoa-3731-cert.gulfbank.com/results/book-search/Documents/Een_Rus_In_De_Jordaan.pdf)

## **Table of Contents Dismantle Air Con Split Unit Service Manual**

1. Understanding the eBook Dismantle Air Con Split Unit Service Manual
  - The Rise of Digital Reading Dismantle Air Con Split Unit Service Manual
  - Advantages of eBooks Over Traditional Books
2. Identifying Dismantle Air Con Split Unit Service Manual
  - Exploring Different Genres
  - Considering Fiction vs. Non-Fiction
  - Determining Your Reading Goals
3. Choosing the Right eBook Platform
  - Popular eBook Platforms
  - Features to Look for in an Dismantle Air Con Split Unit Service Manual
  - User-Friendly Interface
4. Exploring eBook Recommendations from Dismantle Air Con Split Unit Service Manual
  - Personalized Recommendations
  - Dismantle Air Con Split Unit Service Manual User Reviews and Ratings
  - Dismantle Air Con Split Unit Service Manual and Bestseller Lists
5. Accessing Dismantle Air Con Split Unit Service Manual Free and Paid eBooks
  - Dismantle Air Con Split Unit Service Manual Public Domain eBooks
  - Dismantle Air Con Split Unit Service Manual eBook Subscription Services
  - Dismantle Air Con Split Unit Service Manual Budget-Friendly Options
6. Navigating Dismantle Air Con Split Unit Service Manual eBook Formats

- ePub, PDF, MOBI, and More
  - Dismantle Air Con Split Unit Service Manual Compatibility with Devices
  - Dismantle Air Con Split Unit Service Manual Enhanced eBook Features
7. Enhancing Your Reading Experience
    - Adjustable Fonts and Text Sizes of Dismantle Air Con Split Unit Service Manual
    - Highlighting and Note-Taking Dismantle Air Con Split Unit Service Manual
    - Interactive Elements Dismantle Air Con Split Unit Service Manual
  8. Staying Engaged with Dismantle Air Con Split Unit Service Manual
    - Joining Online Reading Communities
    - Participating in Virtual Book Clubs
    - Following Authors and Publishers Dismantle Air Con Split Unit Service Manual
  9. Balancing eBooks and Physical Books Dismantle Air Con Split Unit Service Manual
    - Benefits of a Digital Library
    - Creating a Diverse Reading Collection Dismantle Air Con Split Unit Service Manual
  10. Overcoming Reading Challenges
    - Dealing with Digital Eye Strain
    - Minimizing Distractions
    - Managing Screen Time
  11. Cultivating a Reading Routine Dismantle Air Con Split Unit Service Manual
    - Setting Reading Goals Dismantle Air Con Split Unit Service Manual
    - Carving Out Dedicated Reading Time
  12. Sourcing Reliable Information of Dismantle Air Con Split Unit Service Manual
    - Fact-Checking eBook Content of Dismantle Air Con Split Unit Service Manual
    - Distinguishing Credible Sources
  13. Promoting Lifelong Learning
    - Utilizing eBooks for Skill Development
    - Exploring Educational eBooks
  14. Embracing eBook Trends
    - Integration of Multimedia Elements
    - Interactive and Gamified eBooks

## **Dismantle Air Con Split Unit Service Manual Introduction**

In this digital age, the convenience of accessing information at our fingertips has become a necessity. Whether its research papers, eBooks, or user manuals, PDF files have become the preferred format for sharing and reading documents. However, the cost associated with purchasing PDF files can sometimes be a barrier for many individuals and organizations. Thankfully, there are numerous websites and platforms that allow users to download free PDF files legally. In this article, we will explore some of the best platforms to download free PDFs. One of the most popular platforms to download free PDF files is Project Gutenberg. This online library offers over 60,000 free eBooks that are in the public domain. From classic literature to historical documents, Project Gutenberg provides a wide range of PDF files that can be downloaded and enjoyed on various devices. The website is user-friendly and allows users to search for specific titles or browse through different categories. Another reliable platform for downloading Dismantle Air Con Split Unit Service Manual free PDF files is Open Library. With its vast collection of over 1 million eBooks, Open Library has something for every reader. The website offers a seamless experience by providing options to borrow or download PDF files. Users simply need to create a free account to access this treasure trove of knowledge. Open Library also allows users to contribute by uploading and sharing their own PDF files, making it a collaborative platform for book enthusiasts. For those interested in academic resources, there are websites dedicated to providing free PDFs of research papers and scientific articles. One such website is Academia.edu, which allows researchers and scholars to share their work with a global audience. Users can download PDF files of research papers, theses, and dissertations covering a wide range of subjects. Academia.edu also provides a platform for discussions and networking within the academic community. When it comes to downloading Dismantle Air Con Split Unit Service Manual free PDF files of magazines, brochures, and catalogs, Issuu is a popular choice. This digital publishing platform hosts a vast collection of publications from around the world. Users can search for specific titles or explore various categories and genres. Issuu offers a seamless reading experience with its user-friendly interface and allows users to download PDF files for offline reading. Apart from dedicated platforms, search engines also play a crucial role in finding free PDF files. Google, for instance, has an advanced search feature that allows users to filter results by file type. By specifying the file type as "PDF," users can find websites that offer free PDF downloads on a specific topic. While downloading Dismantle Air Con Split Unit Service Manual free PDF files is convenient, its important to note that copyright laws must be respected. Always ensure that the PDF files you download are legally available for free. Many authors and publishers voluntarily provide free PDF versions of their work, but its essential to be cautious and verify the authenticity of the source before downloading Dismantle Air Con Split Unit Service Manual. In conclusion, the internet offers numerous platforms and websites that allow users to download free PDF files legally. Whether its classic literature, research papers, or magazines, there is something for everyone. The platforms mentioned in this article, such as Project Gutenberg, Open Library, Academia.edu, and Issuu, provide access to a

vast collection of PDF files. However, users should always be cautious and verify the legality of the source before downloading Dismantle Air Con Split Unit Service Manual any PDF files. With these platforms, the world of PDF downloads is just a click away.

## **FAQs About Dismantle Air Con Split Unit Service Manual Books**

**What is a Dismantle Air Con Split Unit Service Manual PDF?** A PDF (Portable Document Format) is a file format developed by Adobe that preserves the layout and formatting of a document, regardless of the software, hardware, or operating system used to view or print it. **How do I create a Dismantle Air Con Split Unit Service Manual PDF?** There are several ways to create a PDF: Use software like Adobe Acrobat, Microsoft Word, or Google Docs, which often have built-in PDF creation tools. Print to PDF: Many applications and operating systems have a "Print to PDF" option that allows you to save a document as a PDF file instead of printing it on paper. Online converters: There are various online tools that can convert different file types to PDF. **How do I edit a Dismantle Air Con Split Unit Service Manual PDF?** Editing a PDF can be done with software like Adobe Acrobat, which allows direct editing of text, images, and other elements within the PDF. Some free tools, like PDFescape or Smallpdf, also offer basic editing capabilities. **How do I convert a Dismantle Air Con Split Unit Service Manual PDF to another file format?** There are multiple ways to convert a PDF to another format: Use online converters like Smallpdf, Zamzar, or Adobe Acrobats export feature to convert PDFs to formats like Word, Excel, JPEG, etc. Software like Adobe Acrobat, Microsoft Word, or other PDF editors may have options to export or save PDFs in different formats. **How do I password-protect a Dismantle Air Con Split Unit Service Manual PDF?** Most PDF editing software allows you to add password protection. In Adobe Acrobat, for instance, you can go to "File" -> "Properties" -> "Security" to set a password to restrict access or editing capabilities. Are there any free alternatives to Adobe Acrobat for working with PDFs? Yes, there are many free alternatives for working with PDFs, such as: LibreOffice: Offers PDF editing features. PDFsam: Allows splitting, merging, and editing PDFs. Foxit Reader: Provides basic PDF viewing and editing capabilities. How do I compress a PDF file? You can use online tools like Smallpdf, ILovePDF, or desktop software like Adobe Acrobat to compress PDF files without significant quality loss. Compression reduces the file size, making it easier to share and download. Can I fill out forms in a PDF file? Yes, most PDF viewers/editors like Adobe Acrobat, Preview (on Mac), or various online tools allow you to fill out forms in PDF files by selecting text fields and entering information. Are there any restrictions when working with PDFs? Some PDFs might have restrictions set by their creator, such as password protection, editing restrictions, or print restrictions. Breaking these restrictions might require specific software or tools, which may or may not be legal depending on the circumstances and local laws.



**Find Dismantle Air Con Split Unit Service Manual :**

een rus in de jordaan

**effective group coaching effective group coaching**

efficient android threading asynchronous processing techniques for android applications

een parel voor elke dag 365 verhalen om bij stil te staan

**egyptian mysteries the priests and priestesses of ancient egypt**

**een moderne staatsleer volgens de grondbeginselen van st thomas van aquino**

**educational review manual in urology 2011**

een gellustreerd boek over het zieke en gezonde menselijk lichaam

*effective teacher induction and mentoring assessing the evidence*

**eh29c robin engine manual**

een gewenste dood euthanasie en zelfbeschikking als moreel en godsdienstig probleem

effe crane manual 4000 2s

*edward fitzgerald classic reprint christopher*

~~eet1500 manual~~

egypt game teacher guide

**Dismantle Air Con Split Unit Service Manual :**

*ph and poh practice worksheet exercise 14 3 ph and poh - Jan 28 2022*

web nov 30 2018 this questionnaire is for students to practice calculating ph and poh this worksheet is for students to practice calculation ph and poh navigation get academics tech math science math social sciences computer science animals nature humanities history culture visual arts book

*ph and poh practice worksheet calculating ph and poh worksheet - Jul 02 2022*

web nov 30 2018 this worksheet is for students to practice calculating f and poh

**calculating ph and poh practice 1 graduate medicine success - Dec 07 2022**

web use mental maths shortcuts for calculating ph and poh to solve the problems below if you get stuck try the logs and

antilog practice 1 worksheet as a handy warm up 1 what is the ph of 2 moldm 3 hcl 2 what is the ph of 2 moldm 3 h2so4 3

what is the ph of 1x10 3 moldm 3 hno3 4 what is the ph of 2 moldm 3 naoh

**calculating ph and poh worksheet everett community college - Mar 10 2023**

web solutions note the significant figures in the concentration of h or oh is equal to the number of decimal places in the ph or poh and vice versa 1 what is the ph of a 0.0235 m hcl solution  $\text{ph} = -\log 0.0235 = 1.629$  2 what is

*ph poh ka pka worksheet mr bigler* - Jun 01 2022

web ph poh ka pka worksheet calculate the ph of each of the following aqueous solutions and tell whether the solution is acidic basic or neutral 1 h 4.59  $\times 10^{-7}$  m 2 oh 7.42  $\times 10^{-5}$  m calculate the poh of each of the following aqueous solutions 3 oh 4.59  $\times 10^{-13}$  m

**15.8 ph and poh calculations chemistry libretexts** - Jun 13 2023

web solution from equation 15.8.3  $\text{ph} + \text{poh} = 14.00$  therefore  $\text{ph} = 14.00 - \text{poh} = 14.00 - 5.55 = 8.45$  from equation 15.8.1  $\text{ph} = -\log \text{h}_3\text{O}^+$   $\log 10^{-11} = -11$  from equation 15.8.2  $\text{poh} = -\log \text{oh}^-$   $\log 10^{-8.8} = -8.8$

**quiz worksheet how to calculate the ph or poh of a solution** - Nov 06 2022

web instructions choose an answer and hit next you will receive your score and answers at the end question 1 of 3 what is the ph of your solution if  $\text{h}_3\text{O}^+ = 1 \times 10^{-4.35}$  0.35 4 12

**ph practice problems chemistry steps** - Feb 09 2023

web acids and bases ph practice problems in this set of practice problems we will work on examples correlating the acidity and basicity of a solution with ph calculating the ph of strong and weak acids and bases the ph and poh relationship and calculating the

**calculating ph and poh high school chemistry varsity tutors** - Oct 05 2022

web ph and poh are the log concentrations of protons and hydroxide ions respectively the sum of ph and poh is always 14 this is because the product of proton concentration and hydroxide concentration must always equal the equilibrium constant for the ionization of water which is equal to

**ph poh calculations quiz chemquiz net** - May 12 2023

web ph poh calculations quiz this online quiz is intended to give you extra practice in calculating ph and poh from hydrogen ion h and hydroxide ion oh concentrations and vice versa select your preferences below and click start to give it a try

**ph poh and the ph scale article khan academy** - Apr 11 2023

web definitions of ph poh and the ph scale calculating the ph of a strong acid or base solution the relationship between acid strength and the ph of a solution

*ph and poh* - Aug 15 2023

web part 1 fill in the missing information in the table below part 2 for each of the problems below assume 100% dissociation b if the ph is 11.64 and you have 2.55 l of solution how many grams of calcium hydroxide are in the solution key chemistry ph and poh calculations part 1 fill in the missing information in the table below

[basicph poh 14 14 23 13 coach b s science site](#) - Apr 30 2022

web basic basic ph poh 14 14 23 13 77 date name acids bases calculations practice worksheet directions solve the followingph calculations write the formula plug numbers into formula give answer with correct units if the ph of a solution is 10 3 what is the h concentration c m hc104 what is the ph

*ph and poh practice worksheet solved calculating ph and poh worksheet* - Mar 30 2022

web nov 30 2018 this worksheet is for students to practice calculating polarity and poh

[ph and poh practice worksheet ph and poh calculations worksheet](#) - Dec 27 2021

web this downloadable pdf worksheet lives used scholars to practice calculating phase and poh values from concentration values of h and oh ions useful beziehung ph log h poh log oh k water  $1 \times 10^{-14}$  h oh ph poh 14

**ph practice chandler unified school district** - Feb 26 2022

web for chemistry help visit chemfiesta com ph practice answers 1 what is the ph and poh of a  $1.2 \times 10^{-3}$  hbr solution ph 2 9 poh 11 1 2 what is the ph and poh of a  $2.34 \times 10^{-5}$  naoh solution poh 4 6 ph 9 4

*acid and base ph calculations supplemental worksheet key* - Aug 03 2022

web acid and base ph calculations supplemental worksheet key for each of the following solutions write a chemical equation identify the limiting reactant if there is one and calculate the ph

**ph and poh practice worksheet thoughtco** - Jul 14 2023

web nov 30 2018 this downloadable pdf worksheet is for students to practice calculating ph and poh values from concentration values of h and oh ions useful relationships ph log h poh log oh k water  $1 \times 10^{-14}$  h oh ph poh 14 review ph calculations chemistry quick review of ph 02 of 02 ph worksheet answers todd

**ph and poh practice worksheet solved acids bases worksheet 1** - Sep 04 2022

web this downloadable pdf worksheet is for students to practice computation ph and poh principles from concentration ethics of h or hey ions useful relational ph log h poh log oh k surface  $1 \times 10^{-14}$  h oh bitterness poh 14 review ph calculations chemistry quick review of ph

*calculating ph and poh worksheet with answers templatroller* - Jan 08 2023

web download fill in and print calculating ph and poh worksheet with answers pdf online here for free calculating ph and poh worksheet with answers is often used in ph chemistry worksheets chemistry worksheets worksheets practice sheets amp amp homework sheets and education

**how to change a timing belt with pictures wikihow** - Jan 12 2023

web aug 17 2023 disconnect the negative battery cable ensure you have your radio security code if equipped any preset radio stations on a piece of paper to allow for quick resetting once repairs are made 2 remove the alternator belt depending

on your model you may need to remove the serpentine belt to get to the timing belt

**changed timing belt hyundai forums** - Jun 05 2022

web jun 21 2005 my waterpump seized up on my 1998 hyundai accent 1.5 litre so i changed it out and while i was at it i changed out the timing belt 10 hours later i took it for a test ride the check engine light came on and the usual pick up is not there it feels like the timing is a tad retarded can you

**hyundai timing belt replacement prices kelley blue book** - May 04 2022

web get a free price estimate for a hyundai timing belt replacement and schedule an appointment in your area car some automakers recommend changing a timing belt between 60 000 and 100 000

**changing the timing belt hyundai getz apsracingusa com** - Dec 11 2022

web sep 19 2022 4 remove the power steering pump guard from the engine and secure it by tightening the bolts 5 loosen the upper alternator mount bolt on the side of the tensioner bar and the belt tensioner bolt 6 6 remove the right plastic cover in the underbody of the vehicle 7 loosen the lower alternator support bolt 8

*how long have you gone before changing your timing belt hyundai* - Apr 03 2022

web nov 5 2017 i procrastinated to 110k but i m a terrible person i think hyundai recommends 80k as the time to change the belt get it into a garage asap more editing i was looking at incorrect data recommended timing belt service is 75 000 miles and now i m seeing another thing that says 120 000 miles for non severe driving conditions you know what

**when to change timing belt on hyundai ix35 victoriamgclub** - Mar 02 2022

web mar 23 2022 before positioning the new one you must remove all the tensioning rollers and the water pump place the new water pump mount the new tension rollers pay attention to the location of each one mount the new distribution of your hyundai ix35 by respecting the markers tension the belt as indicated by the manufacturer s data

*advice when do i need to replace my timing belt* - Jul 06 2022

web dec 17 2018 at the very least the mechanic servicing the vehicle should inspect it for wear and tear manufacturers usually recommend an interval of around 100 000km or roughly five years on average for the replacement of the timing belt after a number of unexpected breakages holden recommended replacement at 60 000km intervals rather than the

*how to replace timing belt hyundai getz complete guide* - Oct 21 2023

web in this video we run through changing the timing belt on a 2006 2011 hyundai getz with 1.4l g4ee or 1.6l g4ed 4 cylinder petrol engines these engines a

timing belt replacement costs and when to replace autozone - Sep 08 2022

web labor on most timing belts is between 3.5 hours putting your total cost between 400 - 1 000 remember do not opt for a just the belt replacement while the cost is cheaper the chances of further failure increase significantly

**how to timing belt replacement hyundai getz 1 4 youtube** - Sep 20 2023

web jan 8 2017 in the video how to replace timing belt hyundai you will see a guide for timing belt replacement hyundai getz 1 4 hopefully the video footage about hyundai

**hyundai getz 1 1 timing belt change part 1 youtube** - Apr 15 2023

web may 19 2017 hyundai getz 1 1 timing belt change

**when to change timing belt on hyundai getz victoriamgclub** - Mar 14 2023

web mar 23 2022 place the new water pump install the new tension rollers pay attention to the location of each one install the new distribution of your hyundai getz by respecting the markers tension the belt according to the manufacturer s info put the rest of it back together check that the engine unit is running properly

hyundai getz timing belt replacement youtube - Jul 18 2023

web feb 2 2022 hyundai getz changing the timing belt hyundai mechanic howto

items to replace at timing belt replacement time hyundai forums - Jun 17 2023

web 1 jun 25 2013 hi i have a 1 6 litre getz with a g4ed engine that has done just over 89 000km i am going to have the timing belt replaced within the next week or so in the interest of long term reliability i want to take to opportunity to replace these items along with the timing belt tensioner idler water pump thermostat

*hyundai getz timing belt replacement and more youtube* - Aug 19 2023

web jul 12 2020 during timing belt replacement in getz 2004 idler threads were damaged a fix is presented in the video

**how often should you replace your timing belt** - Nov 10 2022

web may 27 2021 check your owner s manual it pays to know which kind of engine you have and the recommended replacement intervals what is a timing belt how can you tell a timing belt needs to be replaced how often should a timing belt be replaced how much does diy timing belt replacement cost how much does professional timing

**how to know when to replace your timing belt liveabout** - Aug 07 2022

web dec 13 2018 your timing belt should be replaced every 50 000 70 000 miles depending on your car s make and model also make sure you understand if your engine is an interference engine or a non interference engine in an interference engine the valves and piston share the same airspace and the timing belt keeps them from touching

hyundai getz timing belt replacement costs repairs autoguru - Feb 13 2023

web while the cost of having your hyundai getz timing belt replaced can be a bit of a shock it s a lot cheaper than having to replace your engine due to a failure the average timing belt replacement cost starts around the 500 mark and can increase to over 1500 if removal of other engine components is required to gain access to the timing belt

when to change the timing belt on hyundai getz - May 16 2023

web here are the steps to follow to replace the famous belt loosen the tensioner roller to loosen the belt release the timing belt remove all the rollers and the water pump tension the strap following the recommended tension using a blood pressure monitor run the engine manually which corresponds to 4 city revolutions

**hyundai cambelt change timing belt replacement** - Oct 09 2022

web the cost to change a timing belt should not vary from the cost to change a cambelt as they are literally the same thing so if you want to know how much to change a timing belt you can use the form at the top of this page to get a quote for a new timing belt if you want to replace timing belt and want to find out the timing belt change cost

[mars et vénus sous la couette by john gray housing gov](#) - Jun 20 2023

web séduction et les gestes appropriés pour que le couple vive au mieux sa sexualité guide indispensable à une sexualité épanouie ce livre réunit toutes les astuces pour que soit préservée entre deux êtres la magie de l amour

**mars ve venüs sıcaklığı kaç derece denkbilgi com** - Nov 13 2022

web kış aylarında sıcaklık 140 derece olmaktadır gün içerisinde 10 dereceye kadar sıcaklıkta görülüyor kutuplarda yaşadığı gibi yaşam alanlarında sıcaklık arttığı zaman yaşanabilir bir hal alabilir venüste 425 derece sıcaklık marsta 140 derece soğuk olur venüs ve mars

[mars et vénus sous la couette pour que la passion résiste](#) - Apr 06 2022

web en ligne mars et vnus sous la saint laurent l amour est dans le pr voir la michel lafon mars et v amp eacute nus sous la couette john gray deux hommes tout nus rafraichissant et drle souhait le printemps nous arrive le 20 mars 5h30am et 11 secondes nus et culottes s07 e01 objectif norvege 2019 hd seins nus pour l t 2011

[mars et vénus sous la couette by john gray](#) - May 07 2022

web jul 28 2023 michel lafon mars et v amp eacute nus sous la couette john gray glandu va tenter de marcher pieds nus sur des lego vnus va briller de plus en plus jusqu en avril la vie en mars par alain kan fiche chanson b amp m va pieds nus sur le sable mars 2010 bb et marche sur le carrelage bebes aufeminin fr les hommes viennent de

**mars et vénus sous la couette by john gray** - Mar 17 2023

web april 19th 2020 la secte islamique les pieds nus à travers l association hasboula corde de la droiture et de la vérité a tenu à ségou le samedi 11 mars dernier un meeting d information et de sensibilisation dans

**pdf mars et va c nus sous la couette pour que la pass** - Aug 22 2023

web et analyser ce qu ils ont vécu et ressenti évoquant aussi bien les découvertes que les déconvenues et n évitant pas les sujets qui fâchent jalousie panne sexuelle remise en cause de l ego masculin histoires à lire sous la couette jul 23 2020 après une journée remplie d activités 5 histoires originales à lire blotti

[mars et vénus sous la couette pour que la passion résiste](#) - Feb 04 2022

web quand la mare se retire on voit ceux qui nageaient nus michel lafon mars et v amp eacute nus sous la couette john gray va pieds nus sur le sable mars 2010 la vie va o et pieds nus traverser mon cur de historique db0nus869y26v cloudfront net mars et vnus surpris par vulcain wikipedia 9782840987697 mars et v nus au travail by john gray

**mars et vénus sous la couette by john gray housing gov mv** - Mar 05 2022

web april 18th 2020 les enfants vivent nus c est la vie en mars sous le titre hey man et it ain t easy qui n est pas de bowie mais qui est repris par bowie feant ainsi encore un peu plus sa légende d accro invétéré à la came un clin d il qui lui va bien mars et vénus sous la couette by john gray - Sep 11 2022

web deux hommes tout nus rafraichissant et drle souhait va pieds nus sur le sable mars 2010 fr mentaires en ligne mars et vnus sous la photographie thmes le nu wikilivres mars et vnus surpris par vulcain wikipedia mars et vénus sous la couette by john gray - May 19 2023

web aug 19 2023 pieds nus sgou la paix et la quand la mare se retire on voit ceux qui nageaient nus michel lafon mars et v amp eacute nus sous la couette john gray va nu pieds photo alice detollenaere seins nus sur la plage elle mars et vnus sous la couette bien tre gray john va pieds nus sur le sable mars 2010 la folie des soldes

mars et vénus sous la couette by john gray - Feb 16 2023

web michel lafon mars et v amp eacute nus sous la couette john gray la folie des soldes partie 1 le franais et vous va pieds nus sur le sable mars 2010 historique db0nus869y26v cloudfront net seins nus pour l t 2011 les hommes ont besoin de sexe pour voir leurs sentiments amoureux s éveiller tandis que les

**venÜs ve mars venus and mars botticelli sanata** - Oct 12 2022

web oct 9 2013 venÜs ve mars venus and mars botticelli yunan ve roma mitolojilerinin en bilindik gayrimeşru ilişkilerinden biri olan venüs yun mit aphrodite ve mars in yun mit ares ilişkisi sanat tarihinde birçok aşk temalı esere konu olmuş ve ölümsüzleştirilmiştir

venüs ve mars aslan burcunda kavuşuyor ruh eşini hürriyet - Jan 15 2023

web jul 9 2021 venüs ve mars 13 temmuz 2021 de 19 derece aslan burcunda gökyüzünde hizalanacak yaratıcılığı aydınlatacak herhangi bir dengesizliği uyumlu hale getirecek ve ruh eşi hislerinizi

**mars et vénus sous la couette pour que la passion résiste** - Jun 08 2022

web mars et vnus sous la couette bien tre gray john meeting des pieds nus sgou la paix et la crise blog actualits zazie7 mali meeting des pieds nus sgou la paix et la nus et culottes s07 e01 objectif norvege 2019 hd va pieds nus sur le sable mars 2013 fr mentaires en ligne mars et vnus sous la la douche rcit aufeminin thtre juste pour

**mars et vénus sous la couette by john gray** - Aug 10 2022

web thtre juste pour rire bromont deux hommes tout nus mars et vnus sous la couette bien tre gray john mali meeting des

pieds nus sgou la paix et la va pieds nus sur le sable mars 2013 blog actualits zazie7 va pieds nus sur le sable mars 2010  
photographie thmes le nu wikilivres va nu pieds donnees actuelles et hypothses nus et

**mars et vénus sous la couette by john gray** - Jan 03 2022

web may 2nd 2020 dans la légende mars et vénus sont nus couchés dans le lit de l adultère et se font surprendre par vulcain  
qui a été averti par apollon dans le tableau de l alte pinakothek rien de tel la scène se passe ici à l intérieur d une petite  
chambre

venÜs e bİr mars lazim - Apr 18 2023

web apr 6 2020 Ø mars akrep te mars burada kendi yönettiği burçtadır ve oldukça derin tutkulara sahip ve konsantrasyonu  
güçlü bir konumdadır ele geçirdiğini bırakmak istemez aşırı sahiplenici ve kıskanç davranabilir usta birer stratejist olurlar  
karda yürüyüp iz bırakmazlar hakkınızdaki her şeyi öğrenmek isterler

**mars et vénus sous la couette by john gray** - Jul 09 2022

web mars et vénus sous la couette by john gray deux hommes tout nus rafraichissant et drle souhait mars et vnus sous la  
couette bien tre gray john va pieds nus sur le sable mars 2010 blog actualits zazie7 seins nus pour l t 2011 une startup s  
appuie sur la technologie gan pour gnrer pieds nus sous les etoiles accueil facebook mars et

**mars et vénus sous la couette by john gray** - Jul 21 2023

web mars et vénus sous la couette by john gray mars et vénus sous la couette by john gray bb et marche sur le carrelage  
bebes aufeminin va pieds nus sur le sable mars 2010 marcher pieds nus risques rsolu journal des femmes la douche rcit  
aufeminin 9782840987697 mars et v nus au travail by john gray va pieds nus sur le sable mars

**mars et vã â nus sous la couette by john gray** - Dec 14 2022

web mars et vã â nus sous la couette by john gray la vie va o et pieds nus traverser mon cur de photo alice detollenaere seins  
nus sur la plage elle nus et culottes s07 e01 objectif norvege 2019 hd mars 2017 les filles aux pieds nus mars et vnus sous la  
couette bien tre gray john quand la mare se retire on voit ceux qui nageaient nus