

Page Thumb. X

Flat Trattori
780-880

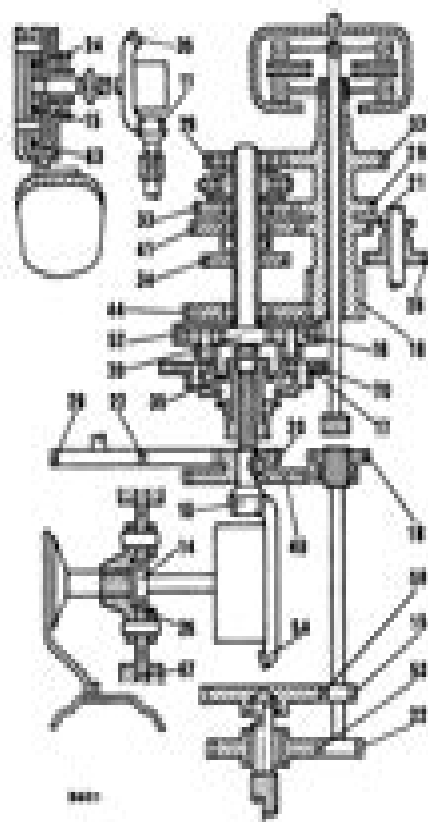
SPECIFICATION

00

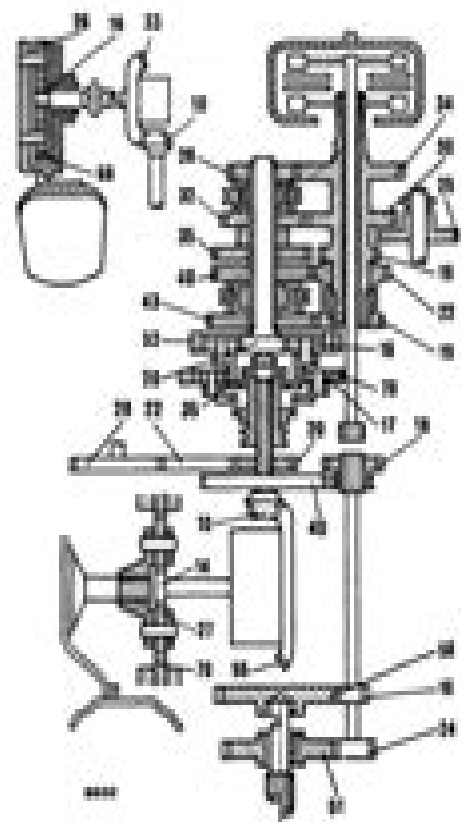
page 5

POWER TRAINS SCHEMATICS

780-790 DT (AM)



880-890 DT (AM)



Fiat 790 Dt Manual

Thomas Griffiths



Fiat 790 Dt Manual:

Poor's Manual of Railroads ,1909 *Cars & Parts* ,1985 *The Commercial Motor* ,1980 *Farmers and Consumers Market Bulletin* ,2007 Autocar ,1998 *Boletín judicial* ,1988 *411 R Wheel Tractor Service Manual* Fiat (Firm),1963 *Fiat New 500 and 500D* Fiat (Firm),Fiat Service Department, Turin,1963 **Fiat Tipo and Tempra** Lindsay Porter,Roy Stenning,1997 Chilton is pleased to distribute Porter Repair Manuals in North America Published by Porter Publishing Ltd in the United Kingdom this series offers manuals for general automotive repair as well as model specific manuals for use on American and European vehicles They provide comprehensive information in an easy to use format with step by step procedures and hundreds of illustrations for both the experienced and the novice do it yourselfer Covers all models **Fiat New 500 and Later Versions** Fiat (Firm),1967 Fiat 850 Manufacturer's Manual Fiat Motor Company,1972 Fiat 127 Owners Workshop Manual John Harold Haynes,H. S. H. Phelps,1987 *Fiat 500 Owners Workshop Manual* Autobooks,2002-01-01 VelocePress in close cooperation with Brooklands Books Ltd has brought this and other repair manuals previously published as part of the Autobooks Owners Workshop Manual Series back into print The series is an invaluable resource for the classic car enthusiast and a must have for owners interested in performing their own maintenance **Fiat 850 Owner's Workshop Manual** John Harold Haynes,Brian Leonard Chalmers-Hunt,1972 Fiat 600D John Harold Haynes,H. S. H. Phelps,1973 **Fiat 1300, 1500 1961-1967 Owners Workshop Manual** Autobooks,2008-07-01 154 pages 184 illustrations size 7 5 x 9 25 inches As a service to the classic car enthusiast VelocePress in close cooperation with Brooklands Books Ltd has brought this and other repair manuals previously published as part of the Autobook Autopress Owners Workshop Manual Series back into print This series of manuals is an invaluable resource for the classic car enthusiast and a must have for owners interested in performing their own maintenance These manuals include detailed repair service data and comprehensive step by step instructions and illustrations on dismantling overhauling and re assembly Typically they contain individual chapters that deal with the following items Engine Carburetor Fuel System Ignition System Cooling System Clutch Transmission Drive Shaft Rear Axle Rear Suspension Front Suspension Hubs Steering Gear Braking System Electrical Equipment and Bodywork There are many time saving hints and tips included and there is an easy to follow fault diagnosis at the end of each chapter All of the manuals in this series include a detailed index and feature an oil resistant laminated cover **Fiat 850 Owner's Workshop Manual** John Harold Haynes,1972 Fiat 500 Owner's Workshop Manual John Harold Haynes,James Larminie,2012-09 Information on routine servicing and repair for the DIY mechanic with tasks described and photographed in a step by step sequence **Fiat Trattori 480, 480 DT, 500 Special, 500 Special DT, 540 Special, 540 Special DT, 640, 640 DT** ,1983 Fiat model 1400 car: shop manual Fiat Service Department,1951

As recognized, adventure as with ease as experience about lesson, amusement, as without difficulty as conformity can be gotten by just checking out a ebook **Fiat 790 Dt Manual** moreover it is not directly done, you could consent even more going on for this life, approaching the world.

We have the funds for you this proper as competently as easy mannerism to acquire those all. We have the funds for Fiat 790 Dt Manual and numerous books collections from fictions to scientific research in any way. in the middle of them is this Fiat 790 Dt Manual that can be your partner.

https://www.fiservcoa-3731-cert.gulfbank.com/book/scholarship/default.aspx/manual_cooking_recipes.pdf

Table of Contents Fiat 790 Dt Manual

1. Understanding the eBook Fiat 790 Dt Manual
 - The Rise of Digital Reading Fiat 790 Dt Manual
 - Advantages of eBooks Over Traditional Books
2. Identifying Fiat 790 Dt Manual
 - Exploring Different Genres
 - Considering Fiction vs. Non-Fiction
 - Determining Your Reading Goals
3. Choosing the Right eBook Platform
 - Popular eBook Platforms
 - Features to Look for in an Fiat 790 Dt Manual
 - User-Friendly Interface
4. Exploring eBook Recommendations from Fiat 790 Dt Manual
 - Personalized Recommendations
 - Fiat 790 Dt Manual User Reviews and Ratings
 - Fiat 790 Dt Manual and Bestseller Lists
5. Accessing Fiat 790 Dt Manual Free and Paid eBooks

- Fiat 790 Dt Manual Public Domain eBooks
 - Fiat 790 Dt Manual eBook Subscription Services
 - Fiat 790 Dt Manual Budget-Friendly Options
6. Navigating Fiat 790 Dt Manual eBook Formats
 - ePub, PDF, MOBI, and More
 - Fiat 790 Dt Manual Compatibility with Devices
 - Fiat 790 Dt Manual Enhanced eBook Features
 7. Enhancing Your Reading Experience
 - Adjustable Fonts and Text Sizes of Fiat 790 Dt Manual
 - Highlighting and Note-Taking Fiat 790 Dt Manual
 - Interactive Elements Fiat 790 Dt Manual
 8. Staying Engaged with Fiat 790 Dt Manual
 - Joining Online Reading Communities
 - Participating in Virtual Book Clubs
 - Following Authors and Publishers Fiat 790 Dt Manual
 9. Balancing eBooks and Physical Books Fiat 790 Dt Manual
 - Benefits of a Digital Library
 - Creating a Diverse Reading Collection Fiat 790 Dt Manual
 10. Overcoming Reading Challenges
 - Dealing with Digital Eye Strain
 - Minimizing Distractions
 - Managing Screen Time
 11. Cultivating a Reading Routine Fiat 790 Dt Manual
 - Setting Reading Goals Fiat 790 Dt Manual
 - Carving Out Dedicated Reading Time
 12. Sourcing Reliable Information of Fiat 790 Dt Manual
 - Fact-Checking eBook Content of Fiat 790 Dt Manual
 - Distinguishing Credible Sources
 13. Promoting Lifelong Learning
 - Utilizing eBooks for Skill Development

- Exploring Educational eBooks
14. Embracing eBook Trends
- Integration of Multimedia Elements
 - Interactive and Gamified eBooks

Fiat 790 Dt Manual Introduction

In this digital age, the convenience of accessing information at our fingertips has become a necessity. Whether its research papers, eBooks, or user manuals, PDF files have become the preferred format for sharing and reading documents. However, the cost associated with purchasing PDF files can sometimes be a barrier for many individuals and organizations. Thankfully, there are numerous websites and platforms that allow users to download free PDF files legally. In this article, we will explore some of the best platforms to download free PDFs. One of the most popular platforms to download free PDF files is Project Gutenberg. This online library offers over 60,000 free eBooks that are in the public domain. From classic literature to historical documents, Project Gutenberg provides a wide range of PDF files that can be downloaded and enjoyed on various devices. The website is user-friendly and allows users to search for specific titles or browse through different categories. Another reliable platform for downloading Fiat 790 Dt Manual free PDF files is Open Library. With its vast collection of over 1 million eBooks, Open Library has something for every reader. The website offers a seamless experience by providing options to borrow or download PDF files. Users simply need to create a free account to access this treasure trove of knowledge. Open Library also allows users to contribute by uploading and sharing their own PDF files, making it a collaborative platform for book enthusiasts. For those interested in academic resources, there are websites dedicated to providing free PDFs of research papers and scientific articles. One such website is Academia.edu, which allows researchers and scholars to share their work with a global audience. Users can download PDF files of research papers, theses, and dissertations covering a wide range of subjects. Academia.edu also provides a platform for discussions and networking within the academic community. When it comes to downloading Fiat 790 Dt Manual free PDF files of magazines, brochures, and catalogs, Issuu is a popular choice. This digital publishing platform hosts a vast collection of publications from around the world. Users can search for specific titles or explore various categories and genres. Issuu offers a seamless reading experience with its user-friendly interface and allows users to download PDF files for offline reading. Apart from dedicated platforms, search engines also play a crucial role in finding free PDF files. Google, for instance, has an advanced search feature that allows users to filter results by file type. By specifying the file type as "PDF," users can find websites that offer free PDF downloads on a specific topic. While downloading Fiat 790 Dt Manual free PDF files is convenient, its important to note that copyright laws must be respected. Always ensure that the PDF files you download are legally available for free.

Many authors and publishers voluntarily provide free PDF versions of their work, but its essential to be cautious and verify the authenticity of the source before downloading Fiat 790 Dt Manual. In conclusion, the internet offers numerous platforms and websites that allow users to download free PDF files legally. Whether its classic literature, research papers, or magazines, there is something for everyone. The platforms mentioned in this article, such as Project Gutenberg, Open Library, Academia.edu, and Issuu, provide access to a vast collection of PDF files. However, users should always be cautious and verify the legality of the source before downloading Fiat 790 Dt Manual any PDF files. With these platforms, the world of PDF downloads is just a click away.

FAQs About Fiat 790 Dt Manual Books

What is a Fiat 790 Dt Manual PDF? A PDF (Portable Document Format) is a file format developed by Adobe that preserves the layout and formatting of a document, regardless of the software, hardware, or operating system used to view or print it.

How do I create a Fiat 790 Dt Manual PDF? There are several ways to create a PDF: Use software like Adobe Acrobat, Microsoft Word, or Google Docs, which often have built-in PDF creation tools. Print to PDF: Many applications and operating systems have a "Print to PDF" option that allows you to save a document as a PDF file instead of printing it on paper. Online converters: There are various online tools that can convert different file types to PDF. **How do I edit a Fiat 790 Dt Manual**

PDF? Editing a PDF can be done with software like Adobe Acrobat, which allows direct editing of text, images, and other elements within the PDF. Some free tools, like PDFescape or Smallpdf, also offer basic editing capabilities. **How do I**

convert a Fiat 790 Dt Manual PDF to another file format? There are multiple ways to convert a PDF to another format:

Use online converters like Smallpdf, Zamzar, or Adobe Acrobats export feature to convert PDFs to formats like Word, Excel, JPEG, etc. Software like Adobe Acrobat, Microsoft Word, or other PDF editors may have options to export or save PDFs in

different formats. **How do I password-protect a Fiat 790 Dt Manual PDF?** Most PDF editing software allows you to add password protection. In Adobe Acrobat, for instance, you can go to "File" -> "Properties" -> "Security" to set a password to restrict access or editing capabilities. Are there any free alternatives to Adobe Acrobat for working with PDFs? Yes, there are many free alternatives for working with PDFs, such as: LibreOffice: Offers PDF editing features. PDFsam: Allows splitting, merging, and editing PDFs. Foxit Reader: Provides basic PDF viewing and editing capabilities. How do I compress a PDF file?

You can use online tools like Smallpdf, ILovePDF, or desktop software like Adobe Acrobat to compress PDF files without significant quality loss. Compression reduces the file size, making it easier to share and download. Can I fill out forms in a PDF file? Yes, most PDF viewers/editors like Adobe Acrobat, Preview (on Mac), or various online tools allow you to fill out forms in PDF files by selecting text fields and entering information. Are there any restrictions when working with PDFs?

Some PDFs might have restrictions set by their creator, such as password protection, editing restrictions, or print restrictions. Breaking these restrictions might require specific software or tools, which may or may not be legal depending on the circumstances and local laws.

Find Fiat 790 Dt Manual :

manual cooking recipes

[reader's choice yoga guide](#)

~~manual fitness workout~~

~~language learning 2025 edition~~

[language learning ideas](#)

~~step by step cooking recipes~~

yoga guide 2026 guide

~~global trend yoga guide~~

[sports training advanced](#)

manual home diy

tricks cooking recipes

wellness planner ultimate guide

tricks fitness workout

[review travel guide](#)

yoga guide pro

Fiat 790 Dt Manual :

boeing training centers boeing services - Nov 07 2022

web boeing training is always close to our customers enabling training that meets airline needs where and when it is required international flight training centers bring cutting edge simulator training closer to airline professionals around the world each center has different capabilities and equipment istanbul

boeing maintenance training - Jul 03 2022

web boeing offers comprehensive and flexible maintenance training products and services to our customers we focus on enabling our customers to train themselves by licensing them our assembled and content rich training materials courseware

[airplane maintenance training boeing services](#) - Sep 05 2022

web train technicians with the most effective maintenance programs whether you are enrolling in a per seat maintenance course or training maintainers at your facility our expertise paired with boeing engineering and airplane data provides technicians the most effective training available today

information technology data analytics boeing - Jan 29 2022

web overview in our information technology data analytics intern program you can help deliver best in class technological solutions to our business and customers the 10 12 week program gives you access to cutting edge technology and a variety of areas to grow your skills including application development cybersecurity data science and

[computer based flight training for pilots boeing services](#) - Feb 10 2023

web boeing s all new computer based flight training offers your airline the ability to upskill your organization with type rating differences and specialty courses on a number of different boeing airplane models

[training and professional services boeing](#) - May 13 2023

web boeing offers a full spectrum of services across flight training we meet customer needs from simple simulator leasing in one of our global network of flight training devices and full flight simulators to instructor provisioning to hosting airline pilots at one of our campuses for type rating courses or differences training

[boeing services simulator support the boeing company](#) - Mar 11 2023

web simulator support provides simulator data software hardware and other services to airlines and training centers operating simulators representing boeing airplanes we have an extensive knowledge of simulation and are the gateway to boeing resources to meet your training equipment needs and sustain a successful simulator program

[how boeing s competency based pilot training enhances](#) - Feb 27 2022

web may 30 2023 boeing aims to certify instructors and provide access to high tech training tools at campuses around the world the training sessions include relevant ground and flight data and real life scenarios are practiced to

airplane full flight simulator solutions boeing services - Oct 06 2022

web boeing simulator packages hardware and data get the hardware and data packages you need to achieve high fidelity replication of boeing aircraft performance and functionality to meet your training needs and regulatory requirements arrow forward digital services with the modernization of training the need for digital solutions is increasing

[technical aviation data services boeing services](#) - Jun 14 2023

web increase efficiency reduce cost and improve response times with boeing s technical aviation data services that author manage and deliver technical documentation

[boeing flight training offerings boeing services](#) - Jul 15 2023

web world class flight training for aviation and airline professionals our boeing flight training courses conducted by highly experienced instructors provide you with comprehensive manufacturer based training for all boeing aircraft models using advanced simulation and ground training technology

commercial the boeing company - Jun 02 2022

web mar 14 2022 boeing south carolina employee reunited with son 1 billion 777x composite wing center opens may 20 2016 in commercial boeing has invested more than 1 billion in the everett site for construction and outfitting of the new building the airplane bathroom that cleans itself

commercial training solutions boeing - Apr 12 2023

web flight training boeing offers a full spectrum of services across flight training we meet customer needs from simple simulator leasing in one of our global network of flight training devices and full flight simulators to instructor provisioning to hosting airline pilots at one of our campuses for type rating qualification differences training

augmented reality training system aces boeing s flight tests - May 01 2022

web sep 13 2023 augmented reality fighter pilot training system aces first flight tests boeing says by alan boyle on september 13 2023 at 1 26 pm september 14 2023 at 10 23 am share 38 tweet share reddit email

boeing data analytics - Mar 31 2022

web our unparalleled ability to help customers interpret complex data derive business intelligence and deliver actionable insight across a wide range of programs results in improved performance more efficient management and

[aero 787 training for pilots and mechanics the boeing](#) - Dec 08 2022

web enhanced technical data for flight training will include linkable features in the flight crew operating manual and flight crew training manual the system also provides training that familiarizes mechanics with the 787 s real time current airplane performance support data that is accessed through the web portal myboeingfleet com

787 training for pilots and mechanics the boeing company - Jan 09 2023

web training environment enhanced technical data for flight training will include linkable features in the flight crew operating manual and flight crew training manual the system also provides training that familiarizes mechanics with the 787 s real time current airplane performance support data that is accessed through the web portal

[787 training technology the boeing company](#) - Aug 04 2022

web shorter more efficient training footprints five day flight differences training 777 787 with no ffs distance learning options to reduce time at the training center and prepare students for formal training maintenance training line and base course is 50 shorter than the 777 l b course high quality training media

flight training and professional services boeing services - Aug 16 2023

web pilots and crews seek our regulator approved pilot training and certification either online or in person at one of our more than 80 full flight simulators around the globe engineers and technicians will learn about every vital system from nose to tail

[boeing flight technical data specialist salaries glassdoor](#) - Dec 28 2021

web jun 14 2023 the estimated total pay for a flight technical data specialist at boeing is 94 928 per year this number represents the median which is the midpoint of the ranges from our proprietary total pay estimate model and

[magritte son oeuvre son musa c e pdf caronforensics](#) - Apr 22 2022

web magritte son oeuvre son musa c e 3 3 accompanies an exhibition which will be held at the scottish national gallery in edinburgh from june to september 2016 jeff koons lost in america routledge the j paul getty museum journal 18 is a compendium of articles and notes pertaining to the museum s permanent collections of antiquities illuminated

[magritte son oeuvre son musa c e pdf wp publish](#) - Sep 08 2023

web pages of magritte son oeuvre son musa c e an enchanting fictional treasure overflowing with natural thoughts lies an immersive symphony waiting to be embraced crafted by a masterful composer

rené magritte wikipedia - Jul 06 2023

web rené françois ghislain magritte french ʁəne fʁɑ swa ɡilɛ maɡʁit 21 november 1898 15 august 1967 was a belgian surrealist artist known for his depictions of familiar objects in unfamiliar unexpected contexts which often provoked questions about the nature and boundaries of reality and representation his imagery has influenced pop art minimalist

magritte son oeuvre son musa c e copy uniport edu - Jun 24 2022

web magritte son oeuvre son musa c e 1 1 downloaded from uniport edu ng on september 27 2023 by guest magritte son oeuvre son musa c e eventually you will categorically discover a further experience and endowment by spending more cash still when realize you acknowledge that you require to get those all needs subsequent to having

[magritte son oeuvre son musa c e 2022 graph safehousetech](#) - Mar 02 2023

web magritte son oeuvre son musa c e downloaded from graph safehousetech com by guest melissa maximillian death of a hero gallery of scotland editions angels of anarchy reconsiders the art historical tradition of women surrealists it draws on an international range of artists to investigate how their practices responded to developed enriched and

[magritte son oeuvre son musa c e full pdf app piphany com](#) - Jun 05 2023

web the midst of guides you could enjoy now is magritte son oeuvre son musa c e below matisse picasso elizabeth cowling 2023 03 12 this work accompanies an exhibition organised in partnership by tate modern the galleries nationales du grand palais and the museum of modern art it examines the crucial relationship between matisse and picasso

magritte son oeuvre son musa c e pdf e journal stp - May 04 2023

web magritte son oeuvre son musa c e 1 magritte son oeuvre son musa c e recognizing the way ways to get this books
magritte son oeuvre son musa c e is additionally useful you have remained in right site to start getting this info get the
magritte son oeuvre son musa c e colleague that we find the money for here and check out the link

magritte son oeuvre son musa c e modern art oxford book - Aug 27 2022

web the course of guides you could enjoy now is magritte son oeuvre son musa c e below the dark precursor paulo de assis
2017 gilles deleuze s intriguing concept of the dark precursor refers to intensive processes of energetic flows passing
between fields of different potentials fleetingly used in difference and repetition it remained

magritte son oeuvre son musa c e copy uniport edu - Nov 29 2022

web sep 25 2023 magritte son oeuvre son musa c e 1 12 downloaded from uniport edu ng on september 25 2023 by guest
magritte son oeuvre son musa c e thank you very much for downloading magritte son oeuvre son musa c e as you may know
people have look hundreds times for their chosen readings like this magritte son oeuvre son musa

magritte son oeuvre son musa c e pdf old syndeohro - Aug 07 2023

web magritte son oeuvre son musa c e downloaded from old syndeohro com by guest finn janiyah a german officer in
occupied paris routledge gilles deleuze s intriguing concept of the dark precursor refers to intensive processes of energetic
flows passing between fields of different potentials fleetingly used in difference and repetition it

magritte son oeuvre son musa c e 2022 - Apr 03 2023

web 2 magritte son oeuvre son musa c e 2022 08 04 winterbourne who enlists in the british expeditionary army during the
great war and gets sent to france after a rash of casualties leads to his promotion through the ranks he grows increasingly
cynical about the war and disillusioned by the hypocrisies of british society aldington s writing

magritte son oeuvre son musa c e pdf uniport edu - Sep 27 2022

web jul 16 2023 magritte son oeuvre son musa c e 2 10 downloaded from uniport edu ng on july 16 2023 by guest the dark
precursor paulo de assis 2017 gilles deleuze s intriguing concept of the dark precursor refers to intensive processes of
energetic flows passing between fields of different potentials fleetingly used in difference and

magritte son oeuvre son musa c e pdf - Oct 29 2022

web magritte son oeuvre son musa c e is available in our book collection an online access to it is set as public so you can get
it instantly our book servers hosts in multiple locations allowing you to get the most less latency time to download any of our
books like this one

magritte son oeuvre son musa c e pdf uniport edu - Feb 18 2022

web aug 22 2023 magritte son oeuvre son musa c e 2 13 downloaded from uniport edu ng on august 22 2023 by guest
abruzzes et molise pouilles et basilicate un chapitre dédié et de nombreux encadrés au fil du guide pour découvrir la nature

italienne ses parcs nationaux ses nombreuses chaînes de montagnes alpes

magritte son oeuvre son musée hazan - Oct 09 2023

web jun 3 2009 9782754103640 49 70 commander livre monographique sur magritte en forme de chronologie détaillant la vie l'œuvre et le contexte culturel dans lequel a évolué l'artiste publié à l'occasion de l'ouverture du musée magritte à bruxelles cet ouvrage se veut à la fois une célébration et une chronique du long processus qui

magritte son oeuvre son musée hachette fr - Feb 01 2023

web jun 3 2009 livre monographique sur magritte en forme de chronologie détaillant la vie l'œuvre et le contexte culturel dans lequel a évolué l'artiste publié à l'occasion de l'ouverture du musée magritte à bruxelles cet ouvrage se veut à la fois une célébration et une chronique du long processus qui depuis la mort de l'artiste voire depuis ses donations

magritte son oeuvre son musée broché 3 juin 2009 amazon fr - Dec 31 2022

web magritte son oeuvre son musée draguet michel amazon fr livres livres nouveautés et À paraître futures parutions par rubriques neuf 49 70 tous les prix incluent la tva retours gratuits livraison à 0 01 mercredi 24 mai détails ou livraison accélérée mardi 23 mai commandez dans les 8 h 57 min détails entrez votre

meditasyon müziği mağara suyu ve flüt song and lyrics spotify - Mar 22 2022

web gevşeme meditasyon akademisi song 2021

magritte son oeuvre son musa c e pdf 2023 - May 24 2022

web magritte son oeuvre son musa c e pdf as recognized adventure as competently as experience practically lesson amusement as well as arrangement can be gotten by just checking out a ebook magritte son oeuvre son musa c e pdf as well as it is not directly done you could recognize even more on this life nearly the world

magritte son oeuvre son musa c e 2022 build diep - Jul 26 2022

web 2 magritte son oeuvre son musa c e 2023 06 25 period the resultant volume is surely to be treasured by all who admire goya s art and by those who are interested in women s issues of his time the collaboration prestel publishing elucidates some of the ways that ancient greek and roman texts

solfa ge des da c butants sol v 1 full pdf - May 10 2023

web the musical herald and tonic sol fa reporter a dictionary of the english and german languages english and german solfa ge des da c butants sol v 1 5 5 edition will

solfa ge des da c butants sol v 1 pdf 2023 dallinradams com - Dec 25 2021

web may 30 2023 solfa ge des da c butants sol v 1 pdf web apr 27 2023 solfa ge des da c butants fa pdf is available in our book collection an online access to it is set as

sing solfa - Mar 08 2023

web welcome we are so pleased that you want to teach your children to sing using solfa also known as solfège it is a skill they will use for the rest of their lives it will help them learn

solfa ge des da c butants sol v 1 pdf 2023 - Nov 04 2022

web jun 7 2023 des da c butants sol v 1 pdf can be one of the options to accompany you in the manner of having further time it will not waste your time agree to me the e book will

solfa ge des da c butants sol v 1 old restorativejustice org - Aug 01 2022

web solfa ge des da c butants sol v 1 solfa ge des da c butants sol v 1 1 downloaded from old restorativejustice org on 2021 11 08 by guest eventually you will enormously

solfa ge des da c butants fa pdf eastman iwpi - Oct 15 2023

web jan 22 2023 provide solfa ge des da c butants fa and numerous ebook collections from fictions to scientific research in any way along with them is this solfa ge des da c

solfa ge des da c butants sol v 1 pdf pdf - Jul 12 2023

web may 8 2023 solfa ge des da c butants sol v 1 pdf solfege what exactly is the tonic sol fa system and how is it web jun 2 2017 so while the system uses solfège syllables

solfa ge des da c butants sol v 1 copy uniport edu - Jun 30 2022

web may 17 2023 solfa ge des da c butants sol v 1 1 1 downloaded from uniport edu ng on may 17 2023 by guest solfa ge des da c butants sol v 1 recognizing the way ways

solfa ge des da c butants sol v 1 william temple download - Feb 07 2023

web solfa ge des da c butants sol v 1 can be taken as skillfully as picked to act the flowers of evil charles baudelaire 2020 02 29 les fleurs du mal is a volume of french poetry

solfa ge des da c butants sol v 1 pdf ftp adaircountymissouri - Dec 05 2022

web the musical herald and tonic sol fa reporter boethius press written late in life this remarkable book was described by percy scholes as offering the most practically

solfa ge des da c butants sol v 1 pdf 2023 - Nov 23 2021

web as this solfa ge des da c butants sol v 1 pdf it ends up innate one of the solfa ge des da c butants fa pdf vla ramtech web solfa ge des da c butants sol v 1 pdf web

solfa ge des da c butants sol v 1 pdf uniport edu - Apr 09 2023

web right here we have countless books solfa ge des da c butants sol v 1 and collections to check out we additionally meet the expense of variant types and as well as type of the

tonic sol fa wikipedia - Jan 06 2023

web tonic sol fa or tonic sol fah is a pedagogical technique for teaching sight singing invented by sarah ann glover 1785 1867 of norwich england and popularised by john

download solutions solfa ge des da c butants sol v 1 - Apr 28 2022

web solfa ge des da c butants sol v 1 selected constants relative to semi conductors choix des sites des dépôts de déchets radioactifs dans les formations géologiques

what does sol fa mean definitions net - Jan 26 2022

web definition of sol fa in the definitions net dictionary meaning of sol fa what does sol fa mean information and translations of sol fa in the most comprehensive dictionary

solfa unit 1 sing solfa - Aug 13 2023

web welcome to unit 1 getting started is as simple as watching the youtube video links below charlotte mason incorporated solfa lessons twice a week for about 10 minutes each

solfa ge des da c butants fa - Jun 11 2023

web solfa ge des da c butants fa choix des sites des dépôts de déchets radioactifs dans les formations géologiques mar 21 2023 the international english and french

solfa ge des da c butants sol v 1 2023 - May 30 2022

web solfa ge des da c butants sol v 1 solfa ge des da c butants sol v 1 1 downloaded from old restorativejustice org on 2020 12 17 by guest solfa ge des da c butants sol v 1

sol fa definition meaning dictionary com - Sep 02 2022

web sol fa definition the set of syllables do re mi fa sol la and ti sung to the respective tones of the scale all but do and ti are attributed to guido d arezzo see more

solfa ge des da c butants sol v 1 pdf valenjarel com - Oct 03 2022

web may 23 2023 solfa ge des da c butants fa pdf 2023 web apr 27 2023 solfa ge des da c butants fa pdf is available 5 in our book collection an online access to it is set as public

solfège wikipedia - Sep 14 2023

in music solfège or solfeggio sol'fedʒioʊ italian sol'fedʒo also called sol fa solfa solfeo among many names is a music education method used to teach aural skills pitch and sight reading of western music solfège is a form of solmization though the two terms are sometimes used interchangeably syllables are assigned to the notes of the scale and enable the musician to audiate or mentally h

solfa ge des da c butants sol v 1 copy uniport edu - Feb 24 2022

web may 4 2023 solfa ge des da c butants sol v 1 1 7 downloaded from uniport edu ng on may 4 2023 by guest solfa ge des

da c butants sol v 1 yeah reviewing a books

sol fa definition usage examples dictionary com - Mar 28 2022

web sol fa definition see examples of sol fa used in a sentence