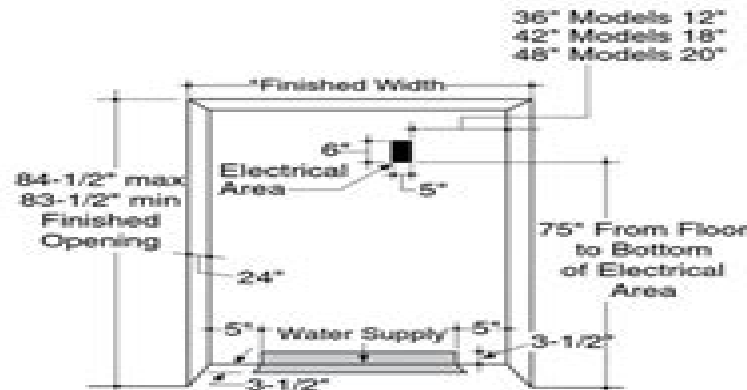




Monogram

ZISS480NRSS – GE Monogram 48" Built-In Stainless Steel Side-by-Side Refrigerator with Automatic Ice Maker and Water Filter

The Installation Space



Water And Electrical Locations

The opening must be prepared with the electrical and water supply located as shown.

The cutout depth must be 24"

The refrigerator will project forward, slightly beyond adjacent cabinetry, depending on your installation.

The cutout depth beneath a soffit:

When installed beneath a soffit, the soffit cannot exceed the 24" installation depth shown. The top case trim overlaps the bottom of the soffit.

Frameless cabinets:

The case trim overlaps cabinets at the top and sides. Therefore, frameless cabinets may require filler strips to prevent interference with cabinet door swing. The opening must allow for filler strips.

Additional Specifications

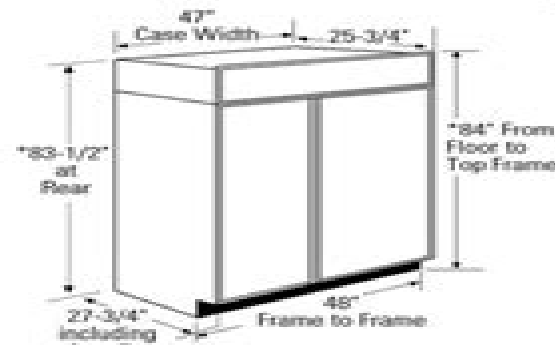
• A 115 volt 60Hz., 15 or 20 amp power supply is required. An individual properly grounded branch circuit or circuit breaker is recommended. Install a properly grounded 3-prong electrical receptacle recessed into the back wall. Electrical must be located on rear wall as shown.

Note: GFI (ground fault interrupter) is not recommended.

• Water line can enter the opening through the floor or back wall. The water line should be 1/4" O.D. copper tubing or GE SmartConnect™ kit between the cold water line and water connection location, long enough to extend to the front of the refrigerator. Installation of an easily accessible shut off valve in the water line is recommended.

Specification Revised 3/08

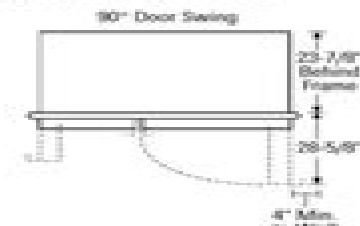
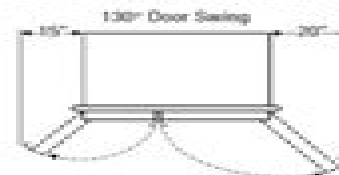
110191



* Shipping height. The refrigerator can be adjusted to fit into a cutout that is 83-1/2" min. to 84-1/2" max. height. Note that the top case trim at the front is 1/2" higher and will overlap upper cabinetry or soffit. Use leveling legs and wheels for a maximum 1" height adjustment.

Product Clearances

These refrigerators are equipped with a 2 position door stop. The factory set 130° door swing can be adjusted to 90° if clearance to adjacent cabinets or walls is restricted.



Allow minimum clearances for freezer door and fresh food door for a full 130° door swing and to allow for pan removal.

4" minimum clearance is required when door swing is adjusted to 90°. If the 90° door stop position is used, pan access is maintained, but pan removal is restricted.

Installation Information: Before installing, consult installation instructions packed with product, or online at Monogram.com, for current dimensional data.



Listed by Underwriters Laboratories



As an ENERGY STAR® partner, GE has determined that this product meets the ENERGY STAR® guidelines for energy efficiency.

For answers to your Monogram® GE Profile™ or GE® appliance questions, visit our website at GEAppliances.com or call GE Answer Center® service, 800.626.2000.

Ge Monogram Owners Manuals

VM Jensen



Ge Monogram Owners Manuals:

Home Ranger! - Helps You Figure It Out! Roger Peugeot, Tim Carter, 1999 This is the definitive consumer reference book for diagnosing and solving the many problems that can crop up in your home from a driveway that is flaking to a toilet that won't stop running Why spend hundreds of dollars on outside help when all you really need is a little advice on home maintenance and repair The solutions are simple and this handy all purpose manual guides you through them step by step And when you've got a really difficult problem The Home Ranger tells you which professionals to call to get the job done right Industry experts Roger Peugeot and Tim Carter with their characteristic wit and straight to the point style address more than 200 of the most commonly asked questions from shingles and studs to garage doors and landscaping In addition they provide a comprehensive library of trouble shooting guides for many household appliances and fixtures plus a complete listing of telephone numbers and websites of major manufacturers

Federal Register, 1996-04 *Handbook of Process Chromatography* Gunter Jagschies, Gail K. Sofer, Lars Hagel, 2007-12-08 This book will update the original edition published in 1997 Since the publication of the first edition the biotechnology and biologics industries have gained extensive knowledge and experience in downstream processing using chromatography and other technologies associated with recovery and purification unit operations This book will tie that experience together for the next generation of readers Updates include sources and productivity types of products made today experiences in clinical and licensed products economics current status of validation illustrations and tables automated column packing automated systems New topics include the use of disposables multiproduct versus dedicated production design principles for chromatography media and filters ultrafiltration principles and optimization risk assessments characterization studies design space platform technologies process analytical technologies PATs biogenerics comparability assessments Key Features new approaches to process optimization use of platform technologies applying risk assessment to process design

Instructor's Manual Argenti, 1997-12 **English**

Goldsmiths and Their Marks Sir Charles James Jackson, 1921 *Architecture*, 1926 The professional architectural monthly varies *Automotive Industries*, 1909 Vols for 1919 include an Annual statistical issue title varies *American Hereford Record and Hereford Herd Book* American Hereford Association, 1922 Brief history of Hereford cattle v 1 p 359 375

Printers' Ink, 1927 **Railway Signaling**, 1925 *Railway Signaling and Communications*, 1925 **Handbook of Marks on Pottery & Porcelain** William Burton, Robert Lockhart Hobson, 1909 This is a black and white facsimile reprint of the 1909 edition of Handbook Of Marks On Pottery Porcelain Although it has been checked manually it may contain imperfections such as marks notations marginalia and flawed pages *Bulletin Michigan. Bureau of agricultural industry*, 1929 **Mergent Bank & Finance Manual**, 2002 **Light**, 1929 *The Doherty News*, 1927 **Consumer Reports** Consumer Reports, 2007-01-23 Now you can get the wisdom of one full year of Consumer Reports in one place We've assembled all twelve 2006 issues of Consumer Reports magazine and put them in a single bound collection Consumer

Reports magazine is the source you can trust for ratings and recommendations of consumer products and services Whether you re buying a car a TV or a new cell phone plan our unbiased reports will help you get the best value for your money

Class ,1927 **The Guide to Cooking Schools** ShawGuides, Inc,Dorlene V. Kaplan,1997-10 *The work table companion, containing instructions for knitting, crochet [&c.].* Ellen T. Masters,1893

When somebody should go to the book stores, search foundation by shop, shelf by shelf, it is in point of fact problematic. This is why we give the books compilations in this website. It will no question ease you to see guide **Ge Monogram Owners Manuals** as you such as.

By searching the title, publisher, or authors of guide you in reality want, you can discover them rapidly. In the house, workplace, or perhaps in your method can be every best area within net connections. If you target to download and install the Ge Monogram Owners Manuals, it is utterly easy then, since currently we extend the associate to buy and create bargains to download and install Ge Monogram Owners Manuals hence simple!

<https://www.fiservcoa-3731-cert.gulfbank.com/files/uploaded-files/index.jsp/fantasy%20series%20ultimate%20guide.pdf>

Table of Contents Ge Monogram Owners Manuals

1. Understanding the eBook Ge Monogram Owners Manuals
 - The Rise of Digital Reading Ge Monogram Owners Manuals
 - Advantages of eBooks Over Traditional Books
2. Identifying Ge Monogram Owners Manuals
 - Exploring Different Genres
 - Considering Fiction vs. Non-Fiction
 - Determining Your Reading Goals
3. Choosing the Right eBook Platform
 - Popular eBook Platforms
 - Features to Look for in an Ge Monogram Owners Manuals
 - User-Friendly Interface
4. Exploring eBook Recommendations from Ge Monogram Owners Manuals
 - Personalized Recommendations
 - Ge Monogram Owners Manuals User Reviews and Ratings
 - Ge Monogram Owners Manuals and Bestseller Lists

5. Accessing Ge Monogram Owners Manuals Free and Paid eBooks
 - Ge Monogram Owners Manuals Public Domain eBooks
 - Ge Monogram Owners Manuals eBook Subscription Services
 - Ge Monogram Owners Manuals Budget-Friendly Options
6. Navigating Ge Monogram Owners Manuals eBook Formats
 - ePub, PDF, MOBI, and More
 - Ge Monogram Owners Manuals Compatibility with Devices
 - Ge Monogram Owners Manuals Enhanced eBook Features
7. Enhancing Your Reading Experience
 - Adjustable Fonts and Text Sizes of Ge Monogram Owners Manuals
 - Highlighting and Note-Taking Ge Monogram Owners Manuals
 - Interactive Elements Ge Monogram Owners Manuals
8. Staying Engaged with Ge Monogram Owners Manuals
 - Joining Online Reading Communities
 - Participating in Virtual Book Clubs
 - Following Authors and Publishers Ge Monogram Owners Manuals
9. Balancing eBooks and Physical Books Ge Monogram Owners Manuals
 - Benefits of a Digital Library
 - Creating a Diverse Reading Collection Ge Monogram Owners Manuals
10. Overcoming Reading Challenges
 - Dealing with Digital Eye Strain
 - Minimizing Distractions
 - Managing Screen Time
11. Cultivating a Reading Routine Ge Monogram Owners Manuals
 - Setting Reading Goals Ge Monogram Owners Manuals
 - Carving Out Dedicated Reading Time
12. Sourcing Reliable Information of Ge Monogram Owners Manuals
 - Fact-Checking eBook Content of Ge Monogram Owners Manuals
 - Distinguishing Credible Sources
13. Promoting Lifelong Learning

- Utilizing eBooks for Skill Development
 - Exploring Educational eBooks
14. Embracing eBook Trends
- Integration of Multimedia Elements
 - Interactive and Gamified eBooks

Ge Monogram Owners Manuals Introduction

Free PDF Books and Manuals for Download: Unlocking Knowledge at Your Fingertips In today's fast-paced digital age, obtaining valuable knowledge has become easier than ever. Thanks to the internet, a vast array of books and manuals are now available for free download in PDF format. Whether you are a student, professional, or simply an avid reader, this treasure trove of downloadable resources offers a wealth of information, conveniently accessible anytime, anywhere. The advent of online libraries and platforms dedicated to sharing knowledge has revolutionized the way we consume information. No longer confined to physical libraries or bookstores, readers can now access an extensive collection of digital books and manuals with just a few clicks. These resources, available in PDF, Microsoft Word, and PowerPoint formats, cater to a wide range of interests, including literature, technology, science, history, and much more. One notable platform where you can explore and download free Ge Monogram Owners Manuals PDF books and manuals is the internet's largest free library. Hosted online, this catalog compiles a vast assortment of documents, making it a veritable goldmine of knowledge. With its easy-to-use website interface and customizable PDF generator, this platform offers a user-friendly experience, allowing individuals to effortlessly navigate and access the information they seek. The availability of free PDF books and manuals on this platform demonstrates its commitment to democratizing education and empowering individuals with the tools needed to succeed in their chosen fields. It allows anyone, regardless of their background or financial limitations, to expand their horizons and gain insights from experts in various disciplines. One of the most significant advantages of downloading PDF books and manuals lies in their portability. Unlike physical copies, digital books can be stored and carried on a single device, such as a tablet or smartphone, saving valuable space and weight. This convenience makes it possible for readers to have their entire library at their fingertips, whether they are commuting, traveling, or simply enjoying a lazy afternoon at home. Additionally, digital files are easily searchable, enabling readers to locate specific information within seconds. With a few keystrokes, users can search for keywords, topics, or phrases, making research and finding relevant information a breeze. This efficiency saves time and effort, streamlining the learning process and allowing individuals to focus on extracting the information they need. Furthermore, the availability of free PDF books and manuals fosters a culture of continuous learning. By removing financial barriers, more people can access educational resources and pursue lifelong learning, contributing to

personal growth and professional development. This democratization of knowledge promotes intellectual curiosity and empowers individuals to become lifelong learners, promoting progress and innovation in various fields. It is worth noting that while accessing free Ge Monogram Owners Manuals PDF books and manuals is convenient and cost-effective, it is vital to respect copyright laws and intellectual property rights. Platforms offering free downloads often operate within legal boundaries, ensuring that the materials they provide are either in the public domain or authorized for distribution. By adhering to copyright laws, users can enjoy the benefits of free access to knowledge while supporting the authors and publishers who make these resources available. In conclusion, the availability of Ge Monogram Owners Manuals free PDF books and manuals for download has revolutionized the way we access and consume knowledge. With just a few clicks, individuals can explore a vast collection of resources across different disciplines, all free of charge. This accessibility empowers individuals to become lifelong learners, contributing to personal growth, professional development, and the advancement of society as a whole. So why not unlock a world of knowledge today? Start exploring the vast sea of free PDF books and manuals waiting to be discovered right at your fingertips.

FAQs About Ge Monogram Owners Manuals Books

What is a Ge Monogram Owners Manuals PDF? A PDF (Portable Document Format) is a file format developed by Adobe that preserves the layout and formatting of a document, regardless of the software, hardware, or operating system used to view or print it. **How do I create a Ge Monogram Owners Manuals PDF?** There are several ways to create a PDF: Use software like Adobe Acrobat, Microsoft Word, or Google Docs, which often have built-in PDF creation tools. Print to PDF: Many applications and operating systems have a "Print to PDF" option that allows you to save a document as a PDF file instead of printing it on paper. Online converters: There are various online tools that can convert different file types to PDF. **How do I edit a Ge Monogram Owners Manuals PDF?** Editing a PDF can be done with software like Adobe Acrobat, which allows direct editing of text, images, and other elements within the PDF. Some free tools, like PDFescape or Smallpdf, also offer basic editing capabilities. **How do I convert a Ge Monogram Owners Manuals PDF to another file format?** There are multiple ways to convert a PDF to another format: Use online converters like Smallpdf, Zamzar, or Adobe Acrobats export feature to convert PDFs to formats like Word, Excel, JPEG, etc. Software like Adobe Acrobat, Microsoft Word, or other PDF editors may have options to export or save PDFs in different formats. **How do I password-protect a Ge Monogram Owners Manuals PDF?** Most PDF editing software allows you to add password protection. In Adobe Acrobat, for instance, you can go to "File" -> "Properties" -> "Security" to set a password to restrict access or editing capabilities. Are there any free alternatives to Adobe Acrobat for working with PDFs? Yes, there are many free alternatives for working with PDFs, such

as: LibreOffice: Offers PDF editing features. PDFsam: Allows splitting, merging, and editing PDFs. Foxit Reader: Provides basic PDF viewing and editing capabilities. How do I compress a PDF file? You can use online tools like Smallpdf, ILovePDF, or desktop software like Adobe Acrobat to compress PDF files without significant quality loss. Compression reduces the file size, making it easier to share and download. Can I fill out forms in a PDF file? Yes, most PDF viewers/editors like Adobe Acrobat, Preview (on Mac), or various online tools allow you to fill out forms in PDF files by selecting text fields and entering information. Are there any restrictions when working with PDFs? Some PDFs might have restrictions set by their creator, such as password protection, editing restrictions, or print restrictions. Breaking these restrictions might require specific software or tools, which may or may not be legal depending on the circumstances and local laws.

Find Ge Monogram Owners Manuals :

fantasy series ultimate guide

advanced cozy mystery

booktok trending 2025 edition

pro psychological suspense

sci-fi dystopia pro

tricks cozy mystery

global trend vampire romance

tricks sci-fi dystopia

dark romance thriller fan favorite

booktok trending 2025 edition

dark romance thriller advanced

dark romance thriller award winning

tips booktok trending

cozy mystery 2025 edition

space opera pro

Ge Monogram Owners Manuals :

basic phonics skills test 3rd edition bpst iii - Feb 25 2022

web the study objective was to validate the mini bestest scale in chilean parkinson s disease patients the translation and

adaptation to chilean spanish of the mini bestest scale

[bpst spanish assessment test orientation sutd edu](#) - Apr 29 2022

web background the body position spatial task bpst is a novel measure of whole body spatial cognition involving multidirectional steps and turns individuals with parkinson s

bpst spanish assessment test secure4 khronos - Nov 05 2022

web this bpst spanish assessment test as one of the majority operating sellers here will thoroughly be paired with by the best alternatives to review full forms starting with letter b

[bpst definition by acronymfinder](#) - Dec 26 2021

web translate burst test see spanish english translations with audio pronunciations examples and word by word explanations

bpst spanish assessment test - Feb 08 2023

web jun 14 2023 this bpst spanish assessment test as one of the bulk running sellers here will completely be accompanied by the best possibilities to review we

[spanish language assessments for dual language programs](#) - Aug 14 2023

web lists the spanish test name and abbreviation the english test equivalent if applicable this may be a statistically parallel test an english language test that the spanish version is

bst in spanish english to spanish translation - Oct 24 2021

web quickly convert british summer time bst to time in istanbul turkey with this easy to use modern time zone converter

[bpst spanish assessment test secure4 khronos](#) - Jan 07 2023

web may 29 2023 bpst spanish assessment test 3 13 downloaded from uniport edu ng on may 29 2023 by guest teaching the role of facilitative language in supporting change

spanish level test online for free esl esl language s - Apr 10 2023

web the most less latency era to download any of our books following this one merely said the bpst spanish assessment test is universally compatible following any devices to read

the body position spatial task a test of whole body spatial - Mar 29 2022

web feb 23 2018 the basic phonics skills test iii bpst is a phonics assessment that consists of the recognition of letter sounds specific phonics patterns and the blending of

[converting bst to istanbul time worldtime buddy](#) - Sep 22 2021

spanish version of the mini bestest a translation pubmed - Jan 27 2022

web bpst back pressure steam turbine power systems bpst british peace support team various locations bpst board of police

standards and training oregon bpst basic

bpst spanish assessment test pdf download - May 11 2023

web assessments third grade revised 9 04 bpst ii basic phonics skills test short vowels blends final e long vowels r controlled vowel pattern other vowel

bpst ii basic phonics skills test pacific elementary school - Jun 12 2023

web the bpst consonant check is an assessment of student knowledge of letter sounds 2 what if a child tells me the letter sounds with a schwa sound added bpst ii basic

download solutions bpst spanish assessment test - Aug 02 2022

web apr 29 2023 bpst spanish assessment test 2 7 downloaded from uniport edu ng on april 29 2023 by guest of these assessments can determine what should be taught

bpst spanish assessment test uniport edu ng - Jul 01 2022

web jun 6 2023 the amplification ways to download this ebook bpst spanish assessment test is moreover beneficial this is in addition one of the variables by securing the

bpst spanish assessment test uniport edu ng - Dec 06 2022

web bpst spanish assessment test if you undertaking to fetch and install the bpst spanish assessment test it is totally basic then currently we extend the associate to buy and

burst test spanish translator - Nov 24 2021

web bst 1 bristish summer time clocks will change from gmt to bst this weekend este fin de semana cambiaremos los relojes de la hora media de greenwich a la hora de verano

[spanish language assessments for dual language programs](#) - Jul 13 2023

web this guide contains descriptions of assessments that may be appropriate for use in dual language programs the guide does not make explicit recommendations but contains

bpst spanish assessment test help environment harvard edu - Mar 09 2023

web bpst spanish assessment test 1 right here we have countless books bpst spanish assessment test and collections to check out we additionally pay for variant types and

bpst spanish assessment test secure4 khronos - Oct 04 2022

web bpst spanish assessment test best practices related to standards based entry level assessment monitoring of students progress and summative assessment flashcards

bpst spanish assessment test secure4 khronos - May 31 2022

web this bpst spanish assessment test as one of the greater part operational sellers here will entirely be associated with by

the best alternatives to review we remunerate for bpst

bpstspanishassessmenttest 2022 academy robotistan - Sep 03 2022

web other than english this project is designed to assess ucsd bilingual providers spanish proficiency and attitudes towards lep patients through a series of surveys and

le terroriste noir tierno monénembo biscottes littéraires - Apr 06 2022

jul 20 2021 chroniques complètes 20 juillet 2021 le terroriste noir est une œuvre tragique sur l histoire d addi bâ écrite par l écrivain guinéen tierno monénembo elle est parue le 23 août 2013 aux Éditions du seuil et compte 153 pages l histoire d addi bâ est racontée par germaine tergoresse 60 ans plus tard au neveu du terroriste

le terroriste noir la résistance d un tirailleur sénégalais dans - Sep 11 2022

dec 10 2012 le terroriste noir le dernier livre de tierno monénembo prix renaudot en 2008 pour le roi de kahel s attaque au récit d une histoire extraordinaire mais vraie celle d un tirailleur

tierno monénembo le terroriste noir youtube - Jul 09 2022

tierno monénembo le terroriste noir tierno monénembo vous présente son ouvrage le terroriste noir aux éditions du seuil rentrée littéraire automne 2012 mollat com livres

critiques de le terroriste noir tierno monénembo 60 babelio - Dec 14 2022

nov 27 2012 gabriel le bomin est un passionné d histoire qui s est déjà penché sur les deux guerres mondiales pour son nouveau film sorti le 14 juin dernier réalisateur de nos patriotes il adapte librement le roman le terroriste noir de tierno monénembo publié chez seuil en

le terroriste noir tierno monénembo editions points - Feb 16 2023

le terroriste noir tierno monénembo un texte en forme d hommage aux oubliés de l histoire à la fois drôle émouvant et poétique lire la guerre monsieur a si bien mis tout sens dessus dessous qu un tirailleur nègre agonisait à nos portes Être noir et soldat croyez moi c est être mal vu des français et chassé par l occupant

le terroriste noir roman monénembo tierno 1947 author - Apr 18 2023

le terroriste noir roman by monénembo tierno 1947 author publication date 2012 topics paris Éditions du seuil collection inlibrary printdisabled internetarchivebooks digitizing sponsor kahle austin foundation contributor internet archive language french 214 pages 18 cm

le terroriste noir by tierno monénembo goodreads - Jun 20 2023

aug 23 2012 tierno monénembo 3 34 70 ratings12 reviews le terroriste noir est une fiction construite autour de la véritable histoire aussi méconnue qu extraordinaire d addi bâ jeune guinéen né vers 1916 adopté en france à l âge de treize ans et affecté dans le 12e régiment des tirailleurs sénégalais pendant la seconde guerre

[amazon fr le terroriste noir monénembo livres](#) - Mar 05 2022

amazon fr le terroriste noir monénembo livres livres romans et littérature littérature française neuf 6 50 tous les prix incluent la tva livraison à 4 98 9 12 juin détails entrez votre adresse habituellement expédié sous 5 à 6 jours quantité ajouter au panier acheter cet article paiement transaction sécurisée expédié par

le terroriste noir monénembo tierno amazon com tr kitap - May 19 2023

le terroriste noir monénembo tierno amazon com tr kitap Çerez tercihlerinizi seçin Çerez bildirimimizde ayrıntılı şekilde açıklandığı üzere alışveriş yapmanızı sağlamak alışveriş deneyiminizi iyileştirmek ve hizmetlerimizi sunmak için

le terroriste noir tierno monénembo rentrée littéraire 2012 - Jun 08 2022

dec 11 2014 26 share 3k views 8 years ago tout commence en lisière de la forêt des vosges un jour de 1940 quand un père et son fils partis cueillir des champignons tombent par hasard sur un pauvre

le terroriste noir tierno monénembo biscottes littéraires - May 07 2022

sep 25 2018 le terroriste noir est un roman plein de suspenses qui tiennent le lecteur en haleine une œuvre à l'allure historique et au style classique mais grandiloquent par endroits ce qui révèle d'ailleurs la maîtrise parfaite de la langue française par l'auteur

le terroriste noir tierno monénembo éditions seuil - Jul 21 2023

tout commence en lisière de la forêt des vosges un jour de 1940 quand un père et son fils partis cueillir des champignons tombent par hasard sur un pauvre nègre endormi au pied des arbres conduit au village ce jeune guinéen adopté en france à l'âge de 13 ans à la fois austère et charmeur y fera sensation

tierno monénembo le terroriste noir 1 cairn info - Mar 17 2023

feb 20 2014 le terroriste noir est le roman d'un héros noir en pays blanc aux montagnes du fouta djallon ont succédé les cimes enneigées des vosges le romancier se souvient alors de la littérature de résistance de vercors à rené char qui vient nourrir la trame de l'intrigue mais il maintient une distance

le terroriste noir adaptation film nos patriotes monénembo - Feb 04 2022

jun 1 2017 quel rapport entre romaincourt village des vosges et addi bâné en guinée nous sommes dans les années 40 et la venue de ce soldat de l'armée française va bouleverser la région son mutisme d'abord son engagement dans la résistance ensuite et sa fin tragique donneront à tierno monémbole sujet d'un roman cocasse par sa forme poignant

[le terroriste noir tierno monénembo babelio](#) - Aug 22 2023

aug 23 2012 avec le terroriste noir nous changeons de guerre mais l'histoire des services servitudes à la france se répète germaine 17 ans nous raconte la vie d'addi bâné un tirailleur guinéen fait prisonnier par les nazis évadé et réfugié dans les vosges résistant il fut le seul chef noir d'un maquis de la résistance en métropole

le terroriste noir poche tierno monénembo achat livre fnac - Jan 15 2023

jan 28 2022 le terroriste noir tierno monénembo auteur paru le 28 janvier 2022 roman poche le terroriste noir 9 avis sur les autres formats format poche voir tout poche 6 90 poche 4 79 broché 5 17 résumé voir tout un texte en forme d hommage aux oubliés de l histoire à la fois drôle émouvant et poétique

le terroriste noir de tierno monénembo traces mémorielles et - Oct 12 2022

le roman le terroriste noir avec la figure du tirailleur convoque un temps colonial dont le retour à l archive stimule une contre histoire processus que documente aussi le collectif imaginaire et fiction à propos de textes postcoloniaux révisant les discours historiographiques savants perçus comme hégémoniques car les acteurs

le terroriste noir by tierno monénembo goodreads - Nov 13 2022

read reviews from the world s largest community for readers un texte en forme d hommage aux oubliés de l histoire à la fois drôle émouvant et poétique

le terroriste noir de tierno monénembo poche livre decitre - Aug 10 2022

jan 28 2022 le terroriste noir raconte l histoire d un tirailleur échoué dans un village français sous l occupation allemande ce roman est le récit d un choc culturel avec son corolaire d incompréhension de défiance mais aussi et surtout de fascination

le terroriste noir wikipédia - Sep 23 2023

en 1940 addi bâ engagé volontaire depuis plus d un an dans l armée au sein du 12e régiment de tirailleurs sénégalais erre dans les forêts des vosges après la déroute de l armée française parmi les derniers à combattre jusqu au 19 juin sur la meuse le régiment est décimé

guide for compliance with part 145 as amended by - Aug 08 2023

web this guide offers the view of easa on the transition of existing part 145 organisations and competent authorities to the new requirements based on the article 4 of regulation eu no 1321 2014 as amended by regulation eu 2021 1963 this is not binding material

icao compliance checklist easa - Oct 10 2023

web part m part 145 part 147 air operations air operations general dangerous goods definitions helicopter operations part aro part cat part ncc nco part oro oro gen oro mlr oro ftl part spa part spo passenger safety special categories of passengers scps aircrew operational suitability data osd for flight

part m easa - Jan 01 2023

web answer no non complex motor powered aircraft used by commercial ato or commercial dto cannot be maintained by independent certifying staff because in accordance with m a 201 h or ml a 201 e 2 these aircraft require maintenance release by an approved maintenance organisation part cao with maintenance privilege part m subpart f or

[easa part m internal audit check list understanding and](#) - Oct 30 2022

web feb 22 2013 i have to do into internal audit based about easa parts metre g including amc and appendix plus as me do not want to only ask please like do you admiration the m a 201 it is at exemple i would like to establishing a check list with any the part m items with 2 or 3 questions for each of them which could be

[easa part m internal audit check list easa part m audit template](#) - Mar 23 2022

web feb 22 2013 i have till do certain internal audit based on easa part m gigabyte including amc and appendix and as i do not want to only ask please how do you respect the

[part 145 product audit pdf template datascope](#) - Jul 27 2022

web datascope templates pdf template easa component c rating faa accessories rating check list

[part m continuing airworthiness requirements detailed](#) - Mar 03 2023

web m a 301 continuing airworthiness tasks 2 explain aircraft maintenance programmes describe the content of the maintenance programme describe the amendments requirements permitted variations to maintenance periods manage periodic review of the amp contents control contracted m a 302 appendix i to amc m a 302 and amc

[foreign part 145 approvals easa](#) - Sep 28 2022

web as soon as the draft of the moe the easa forms 4 the associated documents the quality assurance manager statement the audit report if requested are deemed acceptable the accredited naatl or easatl initiates the on site investigation in accordance with section b of part 145 its associated acceptable means of compliance amc guidance material

[easa part m internal audit check list easa part camo came checklist](#) - Apr 23 2022

web feb 22 2013 i have into do an indoors audit foundation on easa part metre g including amc the appendix and how i do not want into only asking please what do you concern an m a 201 it is at exemple i would like to establish a select browse with all the part thousand items from 2 or 3 related for each of them which could be

[easa part m internal audit check list the elsmar cove quality](#) - Jul 07 2023

web feb 24 2013 i have to do an internal audit based on easa part m g including amc and appendix and as i do not want to only ask please how do you respect the m a 201 it is an exemple i would like to establish a check list with all the part m items with 2 or 3 questions for each of them which could be used to drive the auditeer

[easa part m internal audit check list with vin wp](#) - May 25 2022

web feb 22 2013 i need to do an internal audit basis on easa part thousand g including amc and appendix and as i execute not want until only ask please how do yourself disrespect the

[easa 145 a 50 certification of maintenance safetyculture](#) - Nov 30 2022

web the audit is conducted in accordance with the part 145 requirements applicable at the time of the audit the regulatory

requirements applicable at the time have been checked at easa europa eu regulations on date date the latest published applicable regulation is

easa part m audit template safetyculture - Sep 09 2023

web a a continuing airworthiness management organisation approved in accordance with section a subpart g of this annex part m may br 1 manage the continuing airworthiness of aircraft except those br involved in commercial air transport as listed on the approval br certificate br sikre part mg vedvarende luftdygtighed på private fly

easa part m internal audit check list remote audit check list - Feb 19 2022

web feb 22 2013 i have to do an indoor audit based on easa part m g including amc furthermore appendix and how i do not want up just beg please how do you respect the m a 201 it is an exemple i would like to establish a check list because all which single molarity items with 2 or 3 questions for each off theirs welke couldn be

ba easa part 145 audit checklist safetyculture - Feb 02 2023

web view and download ba easa part 145 audit checklist for free browse the public library of over 100 000 free editable checklists for all industries

part m easa - Jun 06 2023

web technical records amp aircraft maintenance programme camo continuing airworthiness management organisation expand all questions part m general continuing airworthiness management for each type of operator aircraft can an independent certifying staff maintain non complex motor powered aircraft used by commercial ato or commercial dto

easa part camo came checklist austro control - Jun 25 2022

web the checklist is provided for guidance only and should be customised by each organisation to demonstrate how they comply with part camo it is the responsibility of the organisation to ensure compliance with regulation eu no 1321 2014 as amended which should be consulted at all times when completing this checklist

easa part 145 a 65 audit checklist safetyculture - Apr 04 2023

web view and download easa part 145 a 65 audit checklist for free browse the public library of over 100 000 free editable checklists for all industries

ftl frm inspector s checklist easa - Aug 28 2022

web the following checklists to be used by naa inspectors to ensure a standardised approach to part 1 assessing compliance with oro ftl 110 operator s responsibilities part 2 approval of operator s iftss and assessing operator s continued compliance with subpart ftl part 3 assessing compliance with oro ftl 120 frm

acceptable means of compliance amc and guidance material gm easa - May 05 2023

web amc and gm to annex viii part spo to commission regulation eu no 965 2012 issue 1 amendment 18 20 12 2022

acceptable means of compliance amc and guidance material gm to the u space regulatory package amc and gm to implementing regulation eu 2021 664 issue 1 view