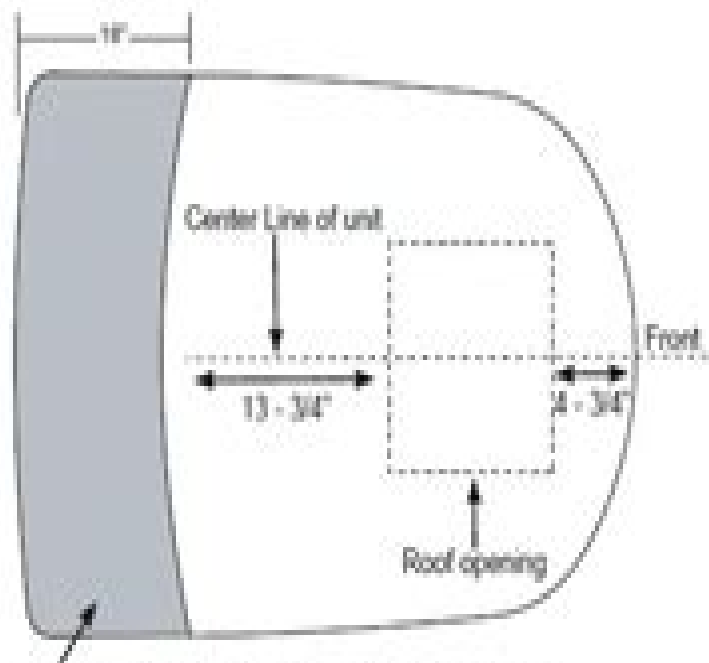
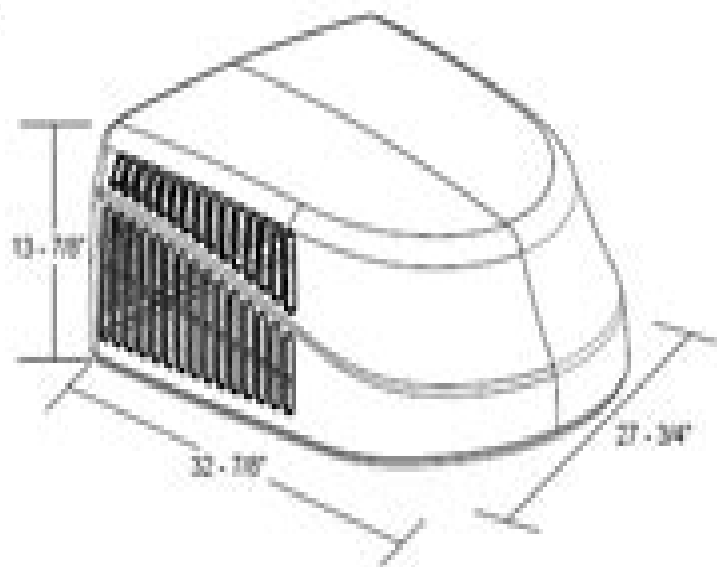
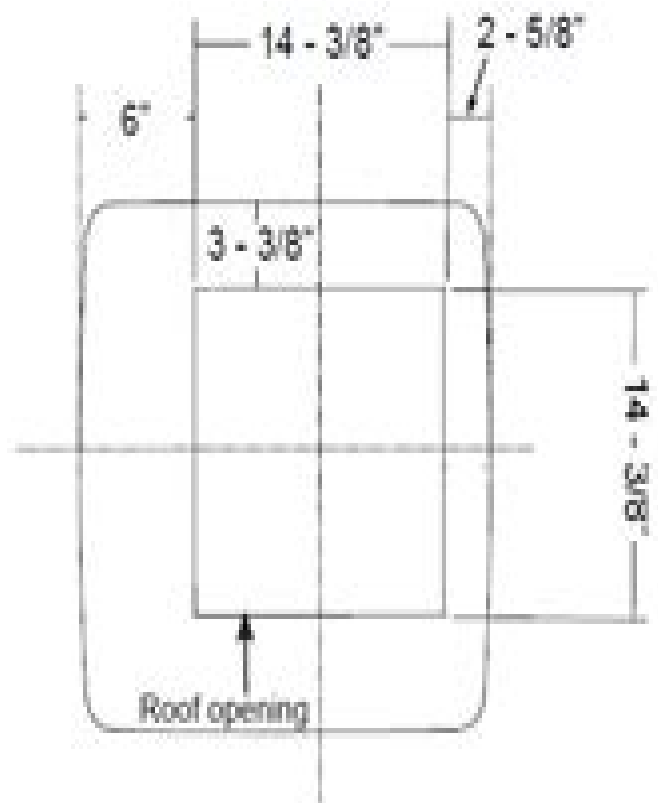
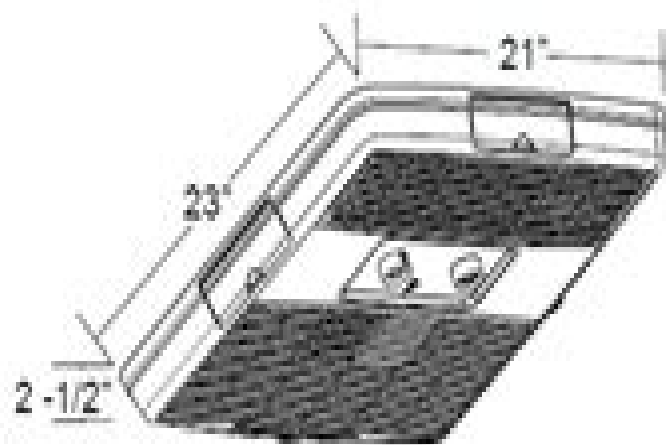


Figure 1: Outdoor unit:



Keep at least 18" free of obstructions at rear of unit.

Figure 2: Indoor Non-Ducted Unit:



# Ge Roof Top Air Conditioner Manual

**K Morrison**



## **Ge Roof Top Air Conditioner Manual:**

**Electric Traction** ,1912    **Metropolitan Management, Transportation and Planning** ,1907    Chilton's Import Car Manual ,1991    **Motor Imported Car Repair Manual** ,1987    Abridgements of Specifications, Class 1-146 ...  
Period A.D. 1855-1866 Great Britain. Patent Office,1905    *Commerce Today* ,1974-10    **Chilton's Import Car Manual**  
**1993** ,1987 Covers all major cars imported into the U S and Canada and includes specifications a troubleshooting guide and maintenance and repair instructions    **Motor Cycling and Motoring** ,1904    **Business Periodicals Index** ,1975  
**Architectural Record** ,1970    *Mining and Engineering World* ,1914    Railway Age ,1948    **Scientific American**  
,1887    *The Autocar* ,1987    **Heating & Air Conditioning Contractor** ,1972    **Cost Effective Housing Systems for**  
**Disaster Relief: Evaluation of applicable housing systems technology** Abeles Schwartz Associates,1976    Transit  
Journal ,1902    *Railroad Age Gazette* ,1909    **The Street Railway Journal** ,1902    **Sales Management** ,1923

## Reviewing **Ge Roof Top Air Conditioner Manual**: Unlocking the Spellbinding Force of Linguistics

In a fast-paced world fueled by information and interconnectivity, the spellbinding force of linguistics has acquired newfound prominence. Its capacity to evoke emotions, stimulate contemplation, and stimulate metamorphosis is really astonishing. Within the pages of "**Ge Roof Top Air Conditioner Manual**," an enthralling opus penned by a highly acclaimed wordsmith, readers attempt an immersive expedition to unravel the intricate significance of language and its indelible imprint on our lives. Throughout this assessment, we shall delve in to the book is central motifs, appraise its distinctive narrative style, and gauge its overarching influence on the minds of its readers.

<https://www.fiservcoa-3731-cert.gulfbank.com/book/Resources/default.aspx/ford%20focus%202005%20repair%20manuals.pdf>

### **Table of Contents Ge Roof Top Air Conditioner Manual**

1. Understanding the eBook Ge Roof Top Air Conditioner Manual
  - The Rise of Digital Reading Ge Roof Top Air Conditioner Manual
  - Advantages of eBooks Over Traditional Books
2. Identifying Ge Roof Top Air Conditioner Manual
  - Exploring Different Genres
  - Considering Fiction vs. Non-Fiction
  - Determining Your Reading Goals
3. Choosing the Right eBook Platform
  - Popular eBook Platforms
  - Features to Look for in an Ge Roof Top Air Conditioner Manual
  - User-Friendly Interface
4. Exploring eBook Recommendations from Ge Roof Top Air Conditioner Manual
  - Personalized Recommendations
  - Ge Roof Top Air Conditioner Manual User Reviews and Ratings

- Ge Roof Top Air Conditioner Manual and Bestseller Lists
- 5. Accessing Ge Roof Top Air Conditioner Manual Free and Paid eBooks
  - Ge Roof Top Air Conditioner Manual Public Domain eBooks
  - Ge Roof Top Air Conditioner Manual eBook Subscription Services
  - Ge Roof Top Air Conditioner Manual Budget-Friendly Options
- 6. Navigating Ge Roof Top Air Conditioner Manual eBook Formats
  - ePub, PDF, MOBI, and More
  - Ge Roof Top Air Conditioner Manual Compatibility with Devices
  - Ge Roof Top Air Conditioner Manual Enhanced eBook Features
- 7. Enhancing Your Reading Experience
  - Adjustable Fonts and Text Sizes of Ge Roof Top Air Conditioner Manual
  - Highlighting and Note-Taking Ge Roof Top Air Conditioner Manual
  - Interactive Elements Ge Roof Top Air Conditioner Manual
- 8. Staying Engaged with Ge Roof Top Air Conditioner Manual
  - Joining Online Reading Communities
  - Participating in Virtual Book Clubs
  - Following Authors and Publishers Ge Roof Top Air Conditioner Manual
- 9. Balancing eBooks and Physical Books Ge Roof Top Air Conditioner Manual
  - Benefits of a Digital Library
  - Creating a Diverse Reading Collection Ge Roof Top Air Conditioner Manual
- 10. Overcoming Reading Challenges
  - Dealing with Digital Eye Strain
  - Minimizing Distractions
  - Managing Screen Time
- 11. Cultivating a Reading Routine Ge Roof Top Air Conditioner Manual
  - Setting Reading Goals Ge Roof Top Air Conditioner Manual
  - Carving Out Dedicated Reading Time
- 12. Sourcing Reliable Information of Ge Roof Top Air Conditioner Manual
  - Fact-Checking eBook Content of Ge Roof Top Air Conditioner Manual
  - Distinguishing Credible Sources

13. Promoting Lifelong Learning
  - Utilizing eBooks for Skill Development
  - Exploring Educational eBooks
14. Embracing eBook Trends
  - Integration of Multimedia Elements
  - Interactive and Gamified eBooks

### **Ge Roof Top Air Conditioner Manual Introduction**

In this digital age, the convenience of accessing information at our fingertips has become a necessity. Whether its research papers, eBooks, or user manuals, PDF files have become the preferred format for sharing and reading documents. However, the cost associated with purchasing PDF files can sometimes be a barrier for many individuals and organizations. Thankfully, there are numerous websites and platforms that allow users to download free PDF files legally. In this article, we will explore some of the best platforms to download free PDFs. One of the most popular platforms to download free PDF files is Project Gutenberg. This online library offers over 60,000 free eBooks that are in the public domain. From classic literature to historical documents, Project Gutenberg provides a wide range of PDF files that can be downloaded and enjoyed on various devices. The website is user-friendly and allows users to search for specific titles or browse through different categories. Another reliable platform for downloading Ge Roof Top Air Conditioner Manual free PDF files is Open Library. With its vast collection of over 1 million eBooks, Open Library has something for every reader. The website offers a seamless experience by providing options to borrow or download PDF files. Users simply need to create a free account to access this treasure trove of knowledge. Open Library also allows users to contribute by uploading and sharing their own PDF files, making it a collaborative platform for book enthusiasts. For those interested in academic resources, there are websites dedicated to providing free PDFs of research papers and scientific articles. One such website is Academia.edu, which allows researchers and scholars to share their work with a global audience. Users can download PDF files of research papers, theses, and dissertations covering a wide range of subjects. Academia.edu also provides a platform for discussions and networking within the academic community. When it comes to downloading Ge Roof Top Air Conditioner Manual free PDF files of magazines, brochures, and catalogs, Issuu is a popular choice. This digital publishing platform hosts a vast collection of publications from around the world. Users can search for specific titles or explore various categories and genres. Issuu offers a seamless reading experience with its user-friendly interface and allows users to download PDF files for offline reading. Apart from dedicated platforms, search engines also play a crucial role in finding free PDF files. Google, for instance, has an advanced search feature that allows users to filter results by file type. By specifying the file type as "PDF," users can find websites that

offer free PDF downloads on a specific topic. While downloading Ge Roof Top Air Conditioner Manual free PDF files is convenient, its important to note that copyright laws must be respected. Always ensure that the PDF files you download are legally available for free. Many authors and publishers voluntarily provide free PDF versions of their work, but its essential to be cautious and verify the authenticity of the source before downloading Ge Roof Top Air Conditioner Manual. In conclusion, the internet offers numerous platforms and websites that allow users to download free PDF files legally. Whether its classic literature, research papers, or magazines, there is something for everyone. The platforms mentioned in this article, such as Project Gutenberg, Open Library, Academia.edu, and Issuu, provide access to a vast collection of PDF files. However, users should always be cautious and verify the legality of the source before downloading Ge Roof Top Air Conditioner Manual any PDF files. With these platforms, the world of PDF downloads is just a click away.

### **FAQs About Ge Roof Top Air Conditioner Manual Books**

How do I know which eBook platform is the best for me? Finding the best eBook platform depends on your reading preferences and device compatibility. Research different platforms, read user reviews, and explore their features before making a choice. Are free eBooks of good quality? Yes, many reputable platforms offer high-quality free eBooks, including classics and public domain works. However, make sure to verify the source to ensure the eBook credibility. Can I read eBooks without an eReader? Absolutely! Most eBook platforms offer web-based readers or mobile apps that allow you to read eBooks on your computer, tablet, or smartphone. How do I avoid digital eye strain while reading eBooks? To prevent digital eye strain, take regular breaks, adjust the font size and background color, and ensure proper lighting while reading eBooks. What the advantage of interactive eBooks? Interactive eBooks incorporate multimedia elements, quizzes, and activities, enhancing the reader engagement and providing a more immersive learning experience. Ge Roof Top Air Conditioner Manual is one of the best book in our library for free trial. We provide copy of Ge Roof Top Air Conditioner Manual in digital format, so the resources that you find are reliable. There are also many Ebooks of related with Ge Roof Top Air Conditioner Manual. Where to download Ge Roof Top Air Conditioner Manual online for free? Are you looking for Ge Roof Top Air Conditioner Manual PDF? This is definitely going to save you time and cash in something you should think about.

### **Find Ge Roof Top Air Conditioner Manual :**

**ford focus 2005 repair manuals**

*ford maverick 1974 shop manual*

[ford focus flexi fuel haynes manual torrent](#)

**ford focus manual transmission vs automatic**

**ford lehman manual**

[ford ka collection user manual](#)

[ford lgt 100 mower manual](#)

[ford galaxy mk1 owners manual](#)

[ford focus 2015 manual cooling system](#)

**ford focus 2 manual torrents**

**ford falcon ef el service manual**

[ford ka service and repair manual haynes service and repair manuals motor 1](#)

[ford ka 2015 manual](#)

**ford focus 2000 2007 service repair workshop manual**

[ford fusion sony manual](#)

## **Ge Roof Top Air Conditioner Manual :**

**as 4120 code of tendering pdf tutorsonspot** - Feb 27 2022

web [australian standard code of tendering 1 scope](#) this standard sets out the ethics and the obligations of the principal and tenderers in tendering in the construction industry a separate standard covers the selection of consultants providing professional services

**as 4120 int 1993 code of tendering sai global store** - Jan 09 2023

web [jan 1 1993 preview as 4120 int 1993 superseded add to watchlist code of tendering available format s hardcopy pdf 1 user pdf 3 users pdf 5 users pdf 9 users superseded date 29 06 2017 language s english published date 31 12 1992 publisher standards australia abstract general product information history categories associated](#)

[tendering and contractual terms for construction projects desklib](#) - May 01 2022

web [jun 11 2023 added on 2023 06 11 this report discusses the as 4120 1994 and as 4000 1997 codes for tendering and contractual terms in construction projects it covers advanced decision making ethics tendering techniques financing contractual terms quality assurance and safety requirements the report includes a project plan for](#)

[as4120 1994 code of tendering pdf scribd](#) - Nov 07 2022

web [as4120 1994 code of tendering free download as pdf file pdf or read online for free tendering code of practice building and construction oir qld gov au](#) - Sep 05 2022



web the australian standard code of tendering as 4120 19941 constitutes a statement of ethics that underpins best practice tendering procedures and obligates all parties who adopt it to refuse to condone unethical behaviour by others in the industry

[as 4120 1994 techstreet store australia](#) - Jul 03 2022

web full description sets out the ethics and obligations of the principal and tenderers in the tendering process in the construction industry it applies to the selection of contractors and subcontractors published in conjunction with the construction industry

**as 4120 1994 code of tendering pdf architect scribd** - Aug 16 2023

web as 4120 1994 code of tendering free download as pdf file pdf text file txt or read online for free standards preview pdfs from sai global infostore

[pdf download as 4120 code of tendering civilnode](#) - Apr 12 2023

web as 4120 code of tendering pdf download file size 147 43 kb year 1994 number of pages 14 publisher aus samples description sets out the ethics and obligations of the principal and tenderers in the tendering process in the construction industry price

[as 4120 code of tendering pdf copy red ortax](#) - Jan 29 2022

web introduction as 4120 code of tendering pdf copy resolving foreign bribery cases with non trial resolutions settlements and non trial agreements by parties to the anti bribery convention oecd 2019 03 10 non trial resolutions often referred to as settlements have been the predominant means of enforcing foreign bribery and other related

[as 4120 code of tendering nbs](#) - Mar 11 2023

web specifies ethics and obligations of the principal and tenderers in the tendering process in the construction industry publisher information standards australia standards new zealand

**as 4120 1994 code of tendering saiglobal** - Jul 15 2023

web as 4120 1994 australian standard code of tendering first published as as 4120 int 1993 revised and designated as 4120 1994 published by standards australia standards association of australia 1 the crescent homebush nsw 2140 isbn 0 7262 9426 8 this is a free 6 page sample access the

**as 4120 1994 code of tendering shop standards ie** - Aug 04 2022

web buy as 4120 1994 code of tendering from nsai nsai website standards committees listing get involved in standards development

**as 4120 1994 word version code of tendering editable word ver** - Mar 31 2022

web sep 26 2012 as standards as 4120 1994 word version code of tendering editable word ver code of tendering editable

word version pages

**as 4120 1994 code of tendering sai global store** - Jun 14 2023

web dec 31 1994 code of tendering available format s hardcopy pdf 1 user pdf 3 users pdf 5 users pdf 9 users language s english published date 31 12 1994 publisher standards australia table of contents abstract scope general product information history categories associated with this standard sub categories associated

**as 4120 code of tendering ci kubesail** - Dec 28 2021

web as 4120 code of tendering 3 3 n3 turtle and rdfa a chapter is devoted to owl2 the new w3c standard this edition also features additional coverage of the query language sparql the rule language rif and the possibility of interaction between rules and ontology languages and applications the chapter on semantic web applications reflects

*as 4120 1994 standards australia* - Jun 02 2022

web sets out the ethics and obligations of the principal and tenderers in the tendering process in the construction industry it applies to the selection of contractors and subcontractors published in conjunction with the construction industry development agency

*as 4120 1994 techstreet* - Dec 08 2022

web dec 31 1994 as 4120 1994 current code of tendering standard by standards australia 12 31 1994 view all product details most recent track it language available formats options availability priced from in usd secure pdf  immediate download 26 15 add to cart printed edition ships in 1 2 business days 29 04 add to cart printed

*best practice guide for tendering and contract* - Oct 06 2022

web requirements of as 4120 code of tendering this guide establishes high and significant benchmarks for best practice tendering and contract management within the civil construction and maintenance industry

as 4120 1994 code of tendering foreign standard - Feb 10 2023

web code of tendering foreign standard sets out the ethics and obligations of the principal and tenderers in the tendering process in the construction industry it applies to the selection of contractors and subcontractors published in conjunction with the construction industry development agency

**guidelines for tendering constructors** - May 13 2023

web australian standard as 4120 1994 code of tendering new south wales government code of tendering for the construction industry july 1996 victorian government office of building development department of infrastructure tendering for public construction and related consultancy services january 1997

**vetasses literacy nursing test question 2022** - Dec 30 2021

web vetasses literacy nursing test question 1 vetasses literacy nursing test question as recognized adventure as with ease as

experience virtually lesson amusement as skillfully as concord can be gotten by just checking out a book vetasses literacy nursing test question plus it is not directly done you could believe

*free sample nursing numeracy and literacy test questions* - Jul 17 2023

web try our nursing assessment numeracy and literacy sample questions to find out what s in store for you in your upcoming nursing tests we have collected for you a few practice questions that can give you a sense of what s needed to achieve success

**resources vetassess** - Dec 10 2022

web resources we offer printed resources to help you in your career our preparation booklets include sample questions and tips and techniques for preparing for tests and examinations please contact us at info vetassess com au for more information

*vaka sorulari serisi klinisyen* - Apr 14 2023

web vaka sorulari serisi mikrobiyoloji 2 baskı 267 86 tl 357 14 tl sepete ekle

**literacy sample test vetassess secure4 khronos** - Jul 05 2022

web may 30 2023 sample nursing test questions for preparing for nursing publication resources vetassess literacy and numeracy testing eworks blog entrance test numeracy amp literacy student nursing teaching media literacy practice test questions literacy and numeracy test for entry to diploma enrolled vetassess

**vetasses literacy nursing test question pdf ol wise edu** - Aug 06 2022

web to this one merely said the vetasses literacy nursing test question is universally compatible taking into consideration any devices to read vetasses literacy nursing test question downloaded from ol wise edu jo by guest stephany finley assessment system design cambridge university press

literacy sample test vetassess orientation sutd edu sg - Oct 08 2022

web nursing numeracy and literacy tests with test sample questions orientation sutd edu sg 1 10 literacy and numeracy test for entry to diploma enrolled

*vetasses literacy nursing test question download only* - Jan 31 2022

web vetasses literacy nursing test question if you ally craving such a referred vetasses literacy nursing test question books that will provide you worth get the completely best seller from us currently from several preferred authors

vetasses literacy nursing test question - Sep 07 2022

web june 11th 2018 ebooks vetassess nursing literacy preparation guide is available on pdf everyone will love rehabilitation technology first aid test questions red vetassess numeracy nursing test questions june 21st 2018 vetassess numeracy nursing test questions pdf free download here certificate iv nursing numeracy test

**vetasses literacy nursing test question pdf pdf** - Jun 04 2022

web mar 31 2023 full length and realistic sift math tests that reflect the format and question types on the sift to help you check your exam readiness and identify where you need more practice

[testvakti Ölçme değerlendirme Çözümleri](#) - Nov 09 2022

web biz kimiz Şirketimiz ölçme değerlendirme ve bu alanda yazılım geliştirme hizmetleri olarak 12 yıldır faaliyet göstermektedir eğitim öğretim alanındaki kamu ve özel eğitim kurumlarına deneme sınavları rehberlik anketleri psikolojik testler ve özel anketler uygulayarak bunların sonuçlarına ilişkin ölçme ve değerlendirme hizmeti verir

**vetasses literacy nursing test question copy** - May 15 2023

web apr 10 2023 taking into account this one merely said the vetasses literacy nursing test question is universally compatible in the same way as any devices to read texes science 7 12 practice questions jul 01 2022 texes science 7 12 practice questions are the simplest way to prepare for your texes test

**vetassess exam enrolled nursing nursing general forums** - Jun 16 2023

web may 7 2009 i m new in here i just enrol a certificate iv in nursing course last week also i know i need to sit in vetassess test i just wonder anyone who had experience of doing that test i did read some related book and i found that literarcy that parts seems pretty hard what is the passing mark

*vetasses literacy nursing test question copy uniport edu* - Mar 01 2022

web jun 17 2023 you could buy guide vetasses literacy nursing test question or get it as soon as feasible you could quickly download this vetasses literacy nursing test question after getting deal

[quiz worksheet health literacy assessments in nursing study](#) - Mar 13 2023

web take a quick interactive quiz on the concepts in health literacy assessments definition purpose procedures or print the worksheet to practice offline these practice questions will help you

*nursing literacy test with sample tests questions jobtestprep* - Jan 11 2023

web literacy test for nursing sample questions 1 appropriately select they re their or there in each of the gaps in this sentence are at least 40 members of staff who know holiday rota will be altered to reflect change in shift pattern answer

**vetassess essay topic examples student nursing nursing** - Feb 12 2023

web apr 8 2009 im sitting the vetassess exam for enrolled nursing and have been looking at the test questions examples effects that sort of thing the second was about another article about co operative and competition and had to answer 3 questions in relation to the article and the 3rd was write a short essay on 1 of 2 topics which were if you were bed

**vetasses literacy nursing test question 2022 ol wise edu** - Apr 02 2022

web as this vetasses literacy nursing test question it ends up swine one of the favored ebook vetasses literacy nursing test question collections that we have this is why you remain in the best website to see the amazing ebook to have vetasses

literacy nursing test question downloaded from ol wise edu jo by guest goodman oscar

*certificate iv nursing numeracy test preparation guide v 1* - Aug 18 2023

web introduction the nursing course selection or entrance test used by various registered training organisations rtos throughout victoria is designed to assess literacy and numeracy at the levels required to successfully complete the certificate iv in nursing enrolled division 2 nursing course

*vetasses literacy nursing test question secure4 khronos* - May 03 2022

web vetasses literacy nursing test question vetasses literacy nursing test question vetasses test diploma of nursing wodonga tafe 25 10 vetasses numeracy nursing test questions literacy preparation guide for vetasses nursing urpolo de literacy and numeracy test for initial teachers sample vetasses test studying and

**amazon com customer reviews time after time large print** - Apr 07 2023

web find helpful customer reviews and review ratings for time after time large print rnib recommended 18 font size text at amazon com read honest and unbiased product

*thailand drops joint patrols with chinese police after public cna* - Jan 24 2022

web 4 hours ago bangkok thailand rolled back on tuesday nov 14 plans of joint patrols with chinese police in popular tourist spots after public backlash tourism officials on

**time after time large print rnib recommended 18 font size text** - Apr 26 2022

web jun 25 2019 time after time large print rnib recommended 18 font size text kirk jacqueline on amazon com free shipping on qualifying offers

**time after time large print constance o day flannery** - Aug 11 2023

web abebooks com time after time large print 9781596880382 by constance o day flannery and a great selection of similar new used and collectible books available now

**amazon com time after time large print 9781596880382** - Aug 31 2022

web apr 15 2005 time after time large print hardcover large print april 15 2005 by constance o day flannery author 4 3 4 3 out of 5 stars 145 ratings

**large format printing in singapore fast cheetahs** - Jul 10 2023

web we are talking about large format prints the grandiose way to make an impact and show your artistic side we can print your photos and designs up to 1 2 metres wide and 3 2

**why biden is behind and how he could come back the new** - Apr 14 2021

web nov 5 2023 on question after question based on new york times siena college polls of 3 662 registered voters conducted oct 22 to nov 3 in six a version of this article

**new york times shares jump as subscribers top 10 million** - Nov 21 2021

web nov 8 2023 2 58 new york times co shares jumped after reporting better than expected results for the third quarter with total subscribers to the news giant passing 10

rebuild or retreat crypto faces tough choices after ftx - Dec 23 2021

web 1 day ago for cost savings you can change your plan at any time online in the settings account section if you d like to retain your premium access and save 20 you can opt

**time after time large print rnib recommended 18 font size text** - Nov 02 2022

web time after time large print rnib recommended 18 font size text kirk jacqueline amazon sg books

downtown singapore time after time official audio youtube - Feb 22 2022

web purchase understanding a guarantee on itunes itunes apple com us album understanding a guarantee ep id625575046you are

*honda will give autoworkers 11 raise after uaw s big wins* - Sep 19 2021

web nov 11 2023 0 00 4 10 honda motor will hike the pay of some u s employees by 11 following the united auto workers historic contract victories at its unionized detroit

*time after time large print amazon com au* - May 08 2023

web time after time large print constance o day flannery amazon com au books skip to main content com au delivering to sydney 1171 to change sign in or enter a

*time after time large print paperback constance o day* - May 28 2022

web after trying to survive through endless bullying and taunts mona decides to end it all on one cold winter night she travels deep into the woods in the midst of a horrific

time after time large print 16pt by wendy godding goodreads - Dec 03 2022

web jan 22 2016 she has died countless times before and she is not going to let it happen again abbie harper dies just before her eighteenth birthday it has happened before

**time after time large print rnib recommended 18 font size text** - Oct 01 2022

web buy time after time large print rnib recommended 18 font size text by kirk jacqueline isbn 9781076166210 from amazon s book store everyday low prices and free

**honda will give autoworkers 11 raise after uaw s big win** - Mar 14 2021

web nov 12 2023 12 54 pm pt honda motor co will raise the pay of some u s employees by 11 after the united auto workers historic contract victories at its unionized detroit

**cod modern warfare 3 faces bad reviews after rushed** - Aug 19 2021

web nov 9 2023 critics have panned the game the first big release since microsoft corp closed its 69 billion acquisition of activision last month saying the storyline feels rushed

*penn state fires offensive coordinator mike yurcich after another* - Oct 21 2021

web 1 day ago penn state has fired offensive coordinator mike yurcich one day after the nittany lions to no 2 michigan on saturday managing just 238 total yards and two

*fire causes i 10 freeway closure in los angeles cnn* - Jul 18 2021

web 1 day ago 00 51 source cnn cnn southern california drivers may face travel headaches this week after a large storage yard fire over the weekend shut down part of

**time after time large print rnib recommended 18 font size text** - Jun 09 2023

web time after time book read reviews from world s largest community for readers

**how long does 3d printing take beginner time guide** - Mar 26 2022

web jun 10 2022 the time it takes for 3d printing will depend on the complexity of the object for example a simple object like a keychain can be printed in as little as 10 minutes

**time after time large print constance o day flannery** - Jan 12 2021

web apr 15 2005 time after time large print constance o day flannery on amazon com free shipping on qualifying offers time after time large print

*how long does 3d printing take in 2021 printaworld* - Dec 11 2020

web mar 12 2021 print all of them at the same time if you have a large enough 3d printer then you might be able to get away with 3d printing your parts next to each other hire a

time after time large print paperback paperback - Jul 30 2022

web time after time large print paperback constance o day flannery amazon com au books

**time after time large print paperback amazon com** - Feb 10 2021

web mar 30 2005 time after time large print paperback paperback large print march 30 2005 by constance o day flannery author 4 3 4 3 out of 5 stars 145 ratings

time after time large print paperback allbookstores com - Feb 05 2023

web mar 30 2005 time after time large print paperback by constance o day flannery click here for the lowest price paperback 9781596880627 1596880627 toggle

**time after time large print paperback paperback amazon ae** - Sep 12 2023

web select the department you want to search in

*amazon com customer reviews time after time large print* - Jun 28 2022

web find helpful customer reviews and review ratings for time after time large print at amazon com read honest and unbiased product reviews from our users

*silicon valley s big bold sci fi bet on the the new york times* - Jun 16 2021

web nov 9 2023 apple sold 381 000 ipods in the year after its 2001 launch for the start up to succeed people will need to learn a new operating system called cosmos and be

**posters printing services quality prints at low prices tpp sg** - Oct 13 2023

web ikea frame size 610mm x 910mm 22 40 minimum order of 2pcs for 1pc only small order fee of 4 applies for smaller sizes a4 a3 foam boards please order here

time after time large print 16pt amazon ca - Mar 06 2023

web select the department you want to search in

time after time large print cyberlab sutd edu sg - Jan 04 2023

web in a tale across time combining classic mythology with modern storytelling what s left to do for a god when their followers have left them find out in the time after oblivion this

**who won the third republican presidential debate the boston** - May 16 2021

web nov 9 2023 for those on stage their campaigns were in a state of urgency trump s lead is large and growing and time is growing short there are less than 11 weeks before the