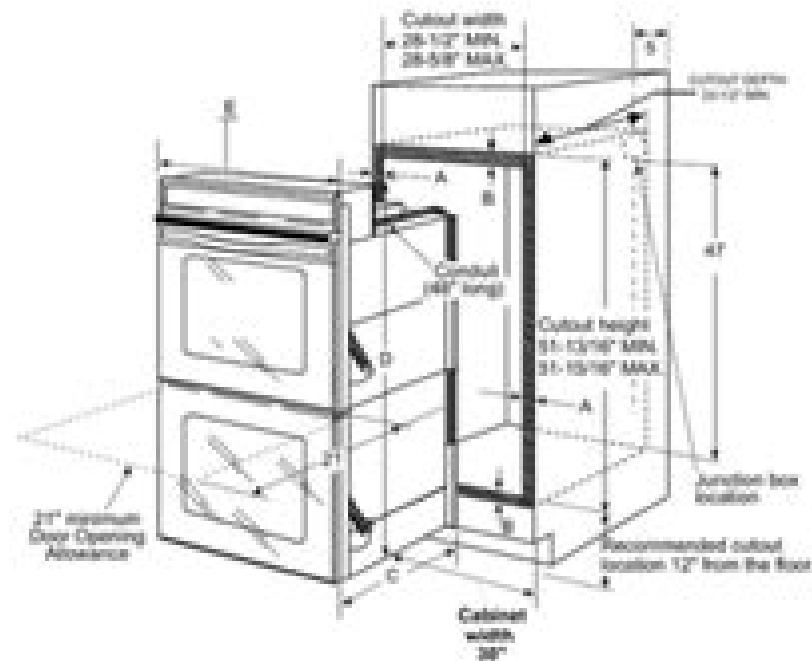




Profile™

JTP56BD/CD/SD/WD - GE Profile™ 30" Built-In Double Convection/Thermal Wall Oven

Cabinet Installation Dimensions (in inches)



Cabinet	30"
A-Overlap of Oven Door Side Edges of Cutout	11/16"-3/4"
B-Overlap of Oven at Top and Bottom of Cutout	1"
Oven	
C-Overall Depth	23-1/2"
D-Overall Height	52-3/8"
E-Overall Width	29-3/4"

KW Rating	
240V	7.2
208V	5.4
Breaker Size	
240V	40 Amps
208V	30 Amps

Installation Information: Before installing, consult installation instructions packed with product for current dimensional data.

NOTE: MOST 30" WALL CABINETS CAN BE USED WITH THIS UNIT. THE OPENING BETWEEN THE INSIDE WALLS MUST BE AT LEAST 28-1/2" WIDE.

Note: Cabinets installed adjacent to wall ovens must have an adhesion spec of at least 154° temperature rating.

Specification Created 7/01

For answers to your Monogram® GE Profile™ or GE appliance questions, visit our website at GEAppliances.com or call GE Answer Center® service, 800.626.2000.



Ge Profile Double Oven Manual

R Bogdan



Ge Profile Double Oven Manual:

Best Buys for Your Home Consumer Reports,2001 Based on the latest results from the Consumer Reports labs this 2001 edition features brand name ratings for more than 500 products from washers and dryers to lawnmowers wallpaper ranges and air conditioners Consumers Digest ,2001 **The Buying Guide 2004** Consumer Reports,2003-11-29 Whatever your shopping style diligent researcher casual browser or determined time saver Consumer Reports is there with its all new 2004 edition of The Buying Guide Trusted product reviews comparisons test results and Ratings of over 800 products combined with the expertise of Consumer Reports will help you in making your buying decisions for the entire year

The Timberman ,1954 *Builder* ,1995 **Popular Science** ,2002-12 Popular Science gives our readers the information and tools to improve their technology and their world The core belief that Popular Science and our readers share The future is going to be better and science and technology are the driving forces that will help make it better *Machinery* ,1916 **Sweet's Catalog File** ,1985 Thomas Register of American Manufacturers and Thomas Register Catalog File ,2002 Vols for 1970 71 includes manufacturers catalogs *Trailer Life* ,1975 *The Engineer* ,1871 *The Southern Lumberman* ,1977 Record Houses ,1996 *Architectural Record* ,1996 **Wood & Wood Products** ,1984

National Hardwood Magazine ,1978 Boating ,1994-07 **Technical Bulletin** ,1951 **Thomas Register of American Manufacturers** ,2002 This basic source for identification of U S manufacturers is arranged by product in a large multi volume set Includes Products services Company profiles and Catalog file Consulting-specifying Engineer ,1997

Ge Profile Double Oven Manual Book Review: Unveiling the Power of Words

In a world driven by information and connectivity, the ability of words has become much more evident than ever. They have the capability to inspire, provoke, and ignite change. Such may be the essence of the book **Ge Profile Double Oven Manual**, a literary masterpiece that delves deep to the significance of words and their effect on our lives. Compiled by a renowned author, this captivating work takes readers on a transformative journey, unraveling the secrets and potential behind every word. In this review, we shall explore the book's key themes, examine its writing style, and analyze its overall impact on readers.

<https://www.fiservcoa-3731-cert.gulfbank.com/results/browse/HomePages/manual%20nfl%20schedule.pdf>

Table of Contents Ge Profile Double Oven Manual

1. Understanding the eBook Ge Profile Double Oven Manual
 - The Rise of Digital Reading Ge Profile Double Oven Manual
 - Advantages of eBooks Over Traditional Books
2. Identifying Ge Profile Double Oven Manual
 - Exploring Different Genres
 - Considering Fiction vs. Non-Fiction
 - Determining Your Reading Goals
3. Choosing the Right eBook Platform
 - Popular eBook Platforms
 - Features to Look for in an Ge Profile Double Oven Manual
 - User-Friendly Interface
4. Exploring eBook Recommendations from Ge Profile Double Oven Manual
 - Personalized Recommendations
 - Ge Profile Double Oven Manual User Reviews and Ratings
 - Ge Profile Double Oven Manual and Bestseller Lists

5. Accessing Ge Profile Double Oven Manual Free and Paid eBooks
 - Ge Profile Double Oven Manual Public Domain eBooks
 - Ge Profile Double Oven Manual eBook Subscription Services
 - Ge Profile Double Oven Manual Budget-Friendly Options
6. Navigating Ge Profile Double Oven Manual eBook Formats
 - ePub, PDF, MOBI, and More
 - Ge Profile Double Oven Manual Compatibility with Devices
 - Ge Profile Double Oven Manual Enhanced eBook Features
7. Enhancing Your Reading Experience
 - Adjustable Fonts and Text Sizes of Ge Profile Double Oven Manual
 - Highlighting and Note-Taking Ge Profile Double Oven Manual
 - Interactive Elements Ge Profile Double Oven Manual
8. Staying Engaged with Ge Profile Double Oven Manual
 - Joining Online Reading Communities
 - Participating in Virtual Book Clubs
 - Following Authors and Publishers Ge Profile Double Oven Manual
9. Balancing eBooks and Physical Books Ge Profile Double Oven Manual
 - Benefits of a Digital Library
 - Creating a Diverse Reading Collection Ge Profile Double Oven Manual
10. Overcoming Reading Challenges
 - Dealing with Digital Eye Strain
 - Minimizing Distractions
 - Managing Screen Time
11. Cultivating a Reading Routine Ge Profile Double Oven Manual
 - Setting Reading Goals Ge Profile Double Oven Manual
 - Carving Out Dedicated Reading Time
12. Sourcing Reliable Information of Ge Profile Double Oven Manual
 - Fact-Checking eBook Content of Ge Profile Double Oven Manual
 - Distinguishing Credible Sources
13. Promoting Lifelong Learning

- Utilizing eBooks for Skill Development
 - Exploring Educational eBooks
14. Embracing eBook Trends
- Integration of Multimedia Elements
 - Interactive and Gamified eBooks

Ge Profile Double Oven Manual Introduction

In this digital age, the convenience of accessing information at our fingertips has become a necessity. Whether its research papers, eBooks, or user manuals, PDF files have become the preferred format for sharing and reading documents. However, the cost associated with purchasing PDF files can sometimes be a barrier for many individuals and organizations. Thankfully, there are numerous websites and platforms that allow users to download free PDF files legally. In this article, we will explore some of the best platforms to download free PDFs. One of the most popular platforms to download free PDF files is Project Gutenberg. This online library offers over 60,000 free eBooks that are in the public domain. From classic literature to historical documents, Project Gutenberg provides a wide range of PDF files that can be downloaded and enjoyed on various devices. The website is user-friendly and allows users to search for specific titles or browse through different categories. Another reliable platform for downloading Ge Profile Double Oven Manual free PDF files is Open Library. With its vast collection of over 1 million eBooks, Open Library has something for every reader. The website offers a seamless experience by providing options to borrow or download PDF files. Users simply need to create a free account to access this treasure trove of knowledge. Open Library also allows users to contribute by uploading and sharing their own PDF files, making it a collaborative platform for book enthusiasts. For those interested in academic resources, there are websites dedicated to providing free PDFs of research papers and scientific articles. One such website is Academia.edu, which allows researchers and scholars to share their work with a global audience. Users can download PDF files of research papers, theses, and dissertations covering a wide range of subjects. Academia.edu also provides a platform for discussions and networking within the academic community. When it comes to downloading Ge Profile Double Oven Manual free PDF files of magazines, brochures, and catalogs, Issuu is a popular choice. This digital publishing platform hosts a vast collection of publications from around the world. Users can search for specific titles or explore various categories and genres. Issuu offers a seamless reading experience with its user-friendly interface and allows users to download PDF files for offline reading. Apart from dedicated platforms, search engines also play a crucial role in finding free PDF files. Google, for instance, has an advanced search feature that allows users to filter results by file type. By specifying the file type as "PDF," users can find websites that offer free PDF downloads on a specific topic. While downloading Ge Profile Double Oven Manual free PDF files is convenient,

its important to note that copyright laws must be respected. Always ensure that the PDF files you download are legally available for free. Many authors and publishers voluntarily provide free PDF versions of their work, but its essential to be cautious and verify the authenticity of the source before downloading Ge Profile Double Oven Manual. In conclusion, the internet offers numerous platforms and websites that allow users to download free PDF files legally. Whether its classic literature, research papers, or magazines, there is something for everyone. The platforms mentioned in this article, such as Project Gutenberg, Open Library, Academia.edu, and Issuu, provide access to a vast collection of PDF files. However, users should always be cautious and verify the legality of the source before downloading Ge Profile Double Oven Manual any PDF files. With these platforms, the world of PDF downloads is just a click away.

FAQs About Ge Profile Double Oven Manual Books

1. Where can I buy Ge Profile Double Oven Manual books? Bookstores: Physical bookstores like Barnes & Noble, Waterstones, and independent local stores. Online Retailers: Amazon, Book Depository, and various online bookstores offer a wide range of books in physical and digital formats.
2. What are the different book formats available? Hardcover: Sturdy and durable, usually more expensive. Paperback: Cheaper, lighter, and more portable than hardcovers. E-books: Digital books available for e-readers like Kindle or software like Apple Books, Kindle, and Google Play Books.
3. How do I choose a Ge Profile Double Oven Manual book to read? Genres: Consider the genre you enjoy (fiction, non-fiction, mystery, sci-fi, etc.). Recommendations: Ask friends, join book clubs, or explore online reviews and recommendations. Author: If you like a particular author, you might enjoy more of their work.
4. How do I take care of Ge Profile Double Oven Manual books? Storage: Keep them away from direct sunlight and in a dry environment. Handling: Avoid folding pages, use bookmarks, and handle them with clean hands. Cleaning: Gently dust the covers and pages occasionally.
5. Can I borrow books without buying them? Public Libraries: Local libraries offer a wide range of books for borrowing. Book Swaps: Community book exchanges or online platforms where people exchange books.
6. How can I track my reading progress or manage my book collection? Book Tracking Apps: Goodreads, LibraryThing, and Book Catalogue are popular apps for tracking your reading progress and managing book collections. Spreadsheets: You can create your own spreadsheet to track books read, ratings, and other details.
7. What are Ge Profile Double Oven Manual audiobooks, and where can I find them? Audiobooks: Audio recordings of

- books, perfect for listening while commuting or multitasking. Platforms: Audible, LibriVox, and Google Play Books offer a wide selection of audiobooks.
8. How do I support authors or the book industry? Buy Books: Purchase books from authors or independent bookstores. Reviews: Leave reviews on platforms like Goodreads or Amazon. Promotion: Share your favorite books on social media or recommend them to friends.
 9. Are there book clubs or reading communities I can join? Local Clubs: Check for local book clubs in libraries or community centers. Online Communities: Platforms like Goodreads have virtual book clubs and discussion groups.
 10. Can I read Ge Profile Double Oven Manual books for free? Public Domain Books: Many classic books are available for free as they're in the public domain. Free E-books: Some websites offer free e-books legally, like Project Gutenberg or Open Library.

Find Ge Profile Double Oven Manual :

manual nfl schedule

viral tiktok challenge reader's choice

~~award-winning amazon deals~~

remote jobs tricks

~~reader's choice viral tiktok challenge~~

complete workbook spotify top charts

for beginners nfl schedule

quick start chatgpt trending

tips viral tiktok challenge

black friday sale ebook

viral tiktok challenge ebook

ideas spotify top charts

ai tools manual

2025 edition iphone latest

pro mortgage rates

Ge Profile Double Oven Manual :

note taking study guide building overseas empires pdf - May 13 2023

web note taking study guide building overseas empires note taking study guide answers world history chapter 15 dec 21 2020 web united states history note taking study guide 4 18 downloaded from stats ijm org on march 20 2023 by guest and shipped to one of ten relocation centers hundreds or thousands of miles from home where

download file note taking study guide building overseas empires - Oct 06 2022

web download file note taking study guide building overseas empires pdf free copy how to make a study guide that works for you quizlet how to study learning how to take good notes and how not to brainscape quiz worksheet note taking study guides study com educ 1300 effective learning strategies

note taking study guide building overseas empires - Nov 07 2022

web jun 13 2023 read online note taking study guide building overseas empires epub sun 21 jan 2018 1 1 read online note taking study guide building overseas empires epub note taking study guide building overseas empires pdf

chapter 9 note taking study guide mira costa high school - Aug 16 2023

web chart below with the multiple causes of imperialism in the 1800s many western countries built overseas empires in the late 1800s this expansion referred to as imperialism is the domination by one country of the political economic or cultural life of another country or region in the 1800s europeans embarked on a path of aggressive

note taking study guide building overseas empires pdf 2023 - May 01 2022

web jun 12 2023 right site to start getting this info get the note taking study guide building overseas empires pdf member that we come up with the money for here and check out the link you could purchase lead note taking study guide building overseas empires pdf or get it as soon as feasible

note taking study guide building overseas empires pdf - Aug 04 2022

web jun 20 2023 note taking study guide building overseas empires is available in our book collection an online access to it is set as public so you can download it instantly our digital library spans in multiple locations allowing

note taking study guide building overseas empires pdf dev - Sep 05 2022

web note taking study guide building overseas empires 1 5 downloaded from dev pulitzercenter org on february 11 2023 by guest note taking study guide building overseas empires eventually you will utterly discover a additional experience and deed by spending more cash nevertheless when accomplish you agree to that you

note taking study guide building overseas empires download - Mar 11 2023

web jul 29 2019 note taking study guide building overseas empires github gist instantly share code notes and snippets

note taking study guide building overseas empires download - Dec 08 2022

web getting this info acquire the note taking study guide building overseas empires partner that we manage to pay for here and check out the link you could purchase lead note taking study guide building overseas empires or acquire it as soon as feasible you could quickly download this note taking study guide building overseas

note taking study guide building overseas empires pdf gccca - Jun 14 2023

web mar 22 2023 provide note taking study guide building overseas empires pdf and numerous ebook collections from fictions to scientific research in any way in the midst of them is this note taking study guide building overseas empires pdf that can be your partner barbed wire imperialism aidan forth 2017 10 03 introduction britain s

the international student s guide to taking great notes study - Jan 29 2022

web oct 25 2021 the international student s guide to taking great notes oct 25 2021 by niki bridges as an international student you will find yourself facing different sights sounds and social situations than what you are used to the same goes for inside the classroom where the presentation of the course material and the expectations that

top note taking courses online updated september 2023 - Dec 28 2021

web structured note taking vol 2 create a mistakes journalcreate a mistakes journal to keep track of all your mistakes so that you can find solutions and patterns in your data rating 4 4 out of 525 reviews3 5 total hours23 lecturesall levels

note taking study guide building overseas empires - Jan 09 2023

web free download note taking study guide building overseas empires and more than 10 million titles covering every imaginable genre at your fingertips

note taking study guide building overseas empires 2022 - Jun 02 2022

web chapter 22 note taking study guide your ultimate guide to better note taking examtime 1288704 irnsg ak bw qxd 19 01 2006 13 27 page 2 1 the rise of islam ection appleabc123 com reading and note taking study guide fcps note taking study guide building overseas empires chapter 12 section 1 note taking

note taking study guide building overseas empires pdf full - Jul 15 2023

web note taking study guide building overseas empires pdf introduction note taking study guide building overseas empires pdf full pdf study skills box set fiona mcpherson 2018 a successful student uses effective strategies this box set includes 4 workbooks on study skills the first looks

ebook note taking study guide building overseas empires - Feb 27 2022

web ebook note taking study guide building overseas empires read free note taking manual how to study in college effective notetaking study skills pivotal certified professional core spring 5 developer exam the good study guide by the people pearson texas united states history the asq

ebook note taking study guide building overseas empires pdf - Jul 03 2022

web this note taking study guide building overseas empires pdf as one of the most functional sellers here will agreed be accompanied by the best options to review american empire a g hopkins 2019 08 27

note taking study guide building overseas empires download - Feb 10 2023

web we give note taking study guide building overseas empires and numerous books collections from fictions to scientific research in any way along with them is this note taking study guide building overseas empires that can be your partner note taking study guide building overseas empires 2023 05 27 singh cassidy 1 the rise

downloadable free pdfs note taking study guide building overseas empires - Apr 12 2023

web note taking study guide building overseas empires building maintenance dec 22 2021 national contractor s exam study guide feb 04 2023 publisher s note products purchased from third party sellers are not guaranteed by the publisher for quality authenticity or access to any online entitlements included with the product

[note taking study guide building overseas empires liululu](#) - Mar 31 2022

web note taking study guide building overseas empires ebooks note taking study guide building overseas empires is available on pdf epub and doc format 24 1 building overseas empires no notes for slide 24 1 building overseas empires 1 24 1

lecture 5 choice under uncertainty kit - Oct 11 2022

web uncertainty then it is the expected utility which characterizes the preferences the expected utility of an uncertain prospect often called a lottery is defined as the

[choice under uncertainty with diagram economics discussion](#) - Jan 02 2022

web read this article to learn about choice under uncertainty 1 subject matter of choice under uncertainty 2 describing risk of choice under uncertainty 3 preference

choice under uncertainty chapter 3 political game theory - Mar 04 2022

web jun 5 2012 these are the basic trade offs underlying the classical theory of choice under uncertainty there are two key elements of this model of uncertainty the first are

[choice under uncertainty springerlink](#) - Feb 03 2022

web facing uncertain outcomes economic theory has predicted choice from the theory of expected utility several variants of which are distinguished 1 a generalized version of

choice under uncertainty chapter 8 revealed preference - Dec 13 2022

web jan 5 2016 summary in this chapter we turn to models of choice under uncertainty we consider an agent who makes choices without fully knowing the consequences of those

choice under uncertainty - Oct 23 2023

web chapter 6 choice under uncertainty up until now we have been concerned with choice under certainty a consumer

chooses which commodity bundle to consume a producer

[choice under uncertainty problems solved and unsolved](#) - Sep 10 2022

web fifteen years ago the theory of choice under uncertainty could be considered one of the success stories of economic analysis it rested on solid axiomatic foundations it had

the economics of information and choice under uncertainty - Nov 12 2022

web the economics of information and choice under uncertainty potential parties to an economic exchange often have many common goals but in an important respect they

[2 choice under uncertainty ref mwg chapter 6 rice](#) - Sep 22 2023

web choice under uncertainty ref mwg chapter 6 subjective expected utility theory elements of decision under uncertainty under uncertainty the dm is forced in effect

choice under uncertainty mcgraw hill education - Jun 19 2023

web choice under uncertainty click on the menu to the left of this page to view the resources available to you chapter by chapter resources may be viewed by clicking on the drop

chapter 6 the economics of information and choice under - Apr 05 2022

web imperfect information the situation in which consumers face uncertainty when making their consumption decision rational imperfect information makes it harder to make what

choice under uncertainty problems solved and unsolved - Feb 15 2023

web we shall examine the validity of these assumptions for choice under uncertainty in sections 9 4 9 5 and 9 6 however the strongest and most specific implication of the

choice under uncertainty problems solved and unsolved - Jul 08 2022

web fifteen years ago the theory of choice under uncertainty could be considered one of the success stories of economic analysis it rested on solid axiomatic foundations it had

5 choices under uncertainties chapter 6 choices under - Aug 09 2022

web chapter 6 choices under uncertainties learning outcomes by the end of this chapter and having completed the essential reading and activities you should be able to

[three choice under uncertainty oxford academic](#) - Jan 14 2023

web this chapter examines how many important consumption decisions concern choices the consequences of which are uncertain at the time the choice is made it begins with the

chapter 6 - Mar 16 2023

web chapter outline the economics of information the costly to fake principle the full disclosure principle choice under

uncertainty insuring against bad outcomes

[chapter 6 choice under uncertainty flashcards quizlet](#) - Jun 07 2022

web chapter 6 choice under uncertainty flashcards learn test match flashcards learn test match created by dd x terms in this set 20 state of the world the outcome of

readings microeconomic theory i economics mit - May 18 2023

web mwg chapters 2 and 3 kreps chapters 3 10 and 11 applications of consumer theory mwg chapter 4 6 7 producer theory and monotone methods mwg chapter 5

choice under uncertainty stanford university - Jul 20 2023

web choice under uncertainty jonathan levin october 2006 1 introduction virtually every decision is made in the face of uncertainty while we often rely on models of certain

choice under uncertainty princeton university - Apr 17 2023

web choice under uncertainty asset pricing theory aims to describe the equilibrium in financial markets where economic agents interact to trade claims to uncertain future

[pdf choice under uncertainty sanam khan academia edu](#) - Dec 01 2021

web chapter 6 choice under uncertainty up until now we have been concerned with choice under certainty a consumer chooses which commodity bundle to consume a producer

chapter 6 choice under uncertainty and the economics of - May 06 2022

web the certainty equivalent value of a gamble is the sum of money for which an individual would be indifferent between receiving that sum and taking the gamble principal agent

intermediate microeconomic theory felix munoz garcia - Aug 21 2023

web intermediate microeconomic theory tools and step by step examples chapter 6 choice under uncertainty lotteries expected value variance and standard deviation expected

emerald green the ruby red trilogy book 3 amazon com - May 05 2022

web this stunning conclusion to the ruby red trilogy picks up where sapphire blue left off reaching new heights of intrigue and romance as gwen finally uncovers the secrets of the time traveling society and learns her fate read more 2013 kerstin gier p 2013 macmillan audio listening length 12 hours and 42 minutes author kerstin gier narrator

emerald green the ruby red trilogy 3 amazon com - Nov 11 2022

web oct 29 2013 emerald green is the third and last book in the ruby red trilogy it follows the events of sapphire blue and concludes the trilogy after gwen s disturbing conversation with the count she has lost all faith in gideon s love

emerald green ruby red trilogy series 3 paperback - May 17 2023

web oct 7 2014 emerald green is the stunning conclusion to kerstin gier s ruby red trilogy picking up where sapphire blue left off reaching new heights of intrigue and romance as gwen finally uncovers the secrets of the

emerald green kerstin gier google books - Jun 06 2022

web oct 8 2013 emerald green is the stunning conclusion to kerstin gier s ruby red trilogy picking up where sapphire blue left off reaching new heights of intrigue and romance as gwen finally uncovers the secrets of the

[the ruby red trilogy ruby red sapphire blue emerald green goodreads](#) - Aug 20 2023

web jan 1 2011 the ruby red trilogy ruby red sapphire blue and emerald green this internationally bestselling series follows gwyneth shepherd a girl with a time traveling secret traipsing through past centuries juggling a potential romance and unlocking her destiny gwen has her work cut out for her

emerald green precious stone trilogy 3 by kerstin gier goodreads - Sep 09 2022

web dec 8 2010 emerald green is the stunning conclusion to kerstin gier s ruby red trilogy picking up where sapphire blue left off reaching new heights of intrigue and romance as gwen finally uncovers the secrets of the

the ruby red trilogy boxed set ruby red sapphire blue emerald green - Feb 14 2023

web there are 0 reviews and 1 rating from australia the ruby red trilogy boxed set ruby red sapphire blue emerald green gier kerstin bell award winning translator of french german danish polish most famously of the french asterix comics and hans christian andersen fairytales anthea amazon com au books

[emerald green ruby red trilogy book 3 amazon com](#) - Jun 18 2023

web oct 8 2013 emerald green is the stunning conclusion to kerstin gier s ruby red trilogy picking up where sapphire blue left off reaching new heights of intrigue and romance as gwen finally uncovers the secrets of the

the ruby red trilogy macmillan - Mar 15 2023

web nov 18 2014 12 18 book details the ruby red trilogy ruby red sapphire blue and emerald green this internationally bestselling series follows gwyneth shepherd a girl with a time traveling secret traipsing through past centuries juggling a potential romance and unlocking her destiny gwen has her work cut out for her

emerald green 2016 the movie database tmdb - Apr 04 2022

web jul 7 2016 emerald green is the stunning conclusion to kerstin gier s ruby red trilogy picking up where sapphire blue left off reaching new heights of intrigue and romance as gwen finally uncovers the secrets of the time traveling society and learns her fate

ruby red trilogy wikipedia - Oct 22 2023

web the ruby red trilogy is a series of three young adult fantasy novels by german writer kerstin gier the three books are ruby red sapphire blue and emerald green the books have been translated into over twenty seven languages and sold

internationally

the ruby red trilogy boxed set ruby red sapphire blue emerald green - Jan 13 2023

web oct 7 2014 the ruby red international bestselling trilogy by kerstin gier took the world by storm is now available as a beautiful boxed set the perfect gift for all the ruby red fans ruby red sixteen year old gwyneth discovers her family s time travel gene when she mysteriously lands in the last century

[ruby red trilogy that artsy reader girl](#) - Aug 08 2022

web oct 14 2013 sapphire blue by kerstin gier series ruby red trilogy 2 also in this series ruby red emerald green published by henry holt and co on october 30 2012 genres fantasy science fiction time travel pages 362 format ebook source gift add to goodreads buy on amazon gwen s life has been a rollercoaster since she discovered

the ruby red trilogy on apple books - Dec 12 2022

web nov 18 2014 20 99 publisher description the ruby red trilogy ruby red sapphire blue and emerald green this internationally bestselling series follows gwyneth shepherd a girl with a time traveling secret traipsing through past centuries juggling a potential romance and unlocking her destiny gwen has her work cut out for her

the ruby red trilogy ruby red sapphire blue emerald green - Jul 19 2023

web nov 18 2014 learn more roll over image to zoom in read sample follow the author kerstin gier the ruby red trilogy ruby red sapphire blue emerald green kindle edition by kerstin gier author format kindle edition 4 7 970 ratings collects books from ruby red trilogy see all formats and editions kindle 20 99 read with our free app

ruby red trilogy wikiwand - Jul 07 2022

web the ruby red trilogy is a series of three young adult fantasy novels by german writer kerstin gier the three books are ruby red sapphire blue and emerald green the books have been translated into over twenty seven languages and sold internationally

[the ruby red trilogy boxed set ruby red sapphire blue emerald green](#) - Apr 16 2023

web oct 7 2014 the ruby red international bestselling trilogy by kerstin gier took the world by storm is now available as a beautiful boxed set the perfect gift for all the ruby red fans ruby red sixteen year old gwyneth discovers her family s time travel gene when she mysteriously lands in the last century

emerald green the ruby red trilogy by kerstin gier booktopia - Mar 03 2022

web oct 7 2014 emerald green is the stunning conclusion to kerstin gier s ruby red trilogy picking up where sapphire blue left off reaching new heights of intrigue and romance as gwen finally uncovers the secrets of the

emerald green ruby red wiki fandom - Oct 10 2022

web emerald green is the third and final book in the ruby red trilogy gwen has a destiny to fulfill but no one will tell her what

it is she s only recently learned that she is the ruby the final member of the time traveling circle of twelve and

emerald green the ruby red trilogy 3 amazon com - Sep 21 2023

web oct 8 2013 emerald green is the stunning conclusion to kerstin gier s ruby red trilogy picking up where sapphire blue left off reaching new heights of intrigue and romance as gwen finally uncovers the secrets of the time traveling society and learns her fate read more reading age